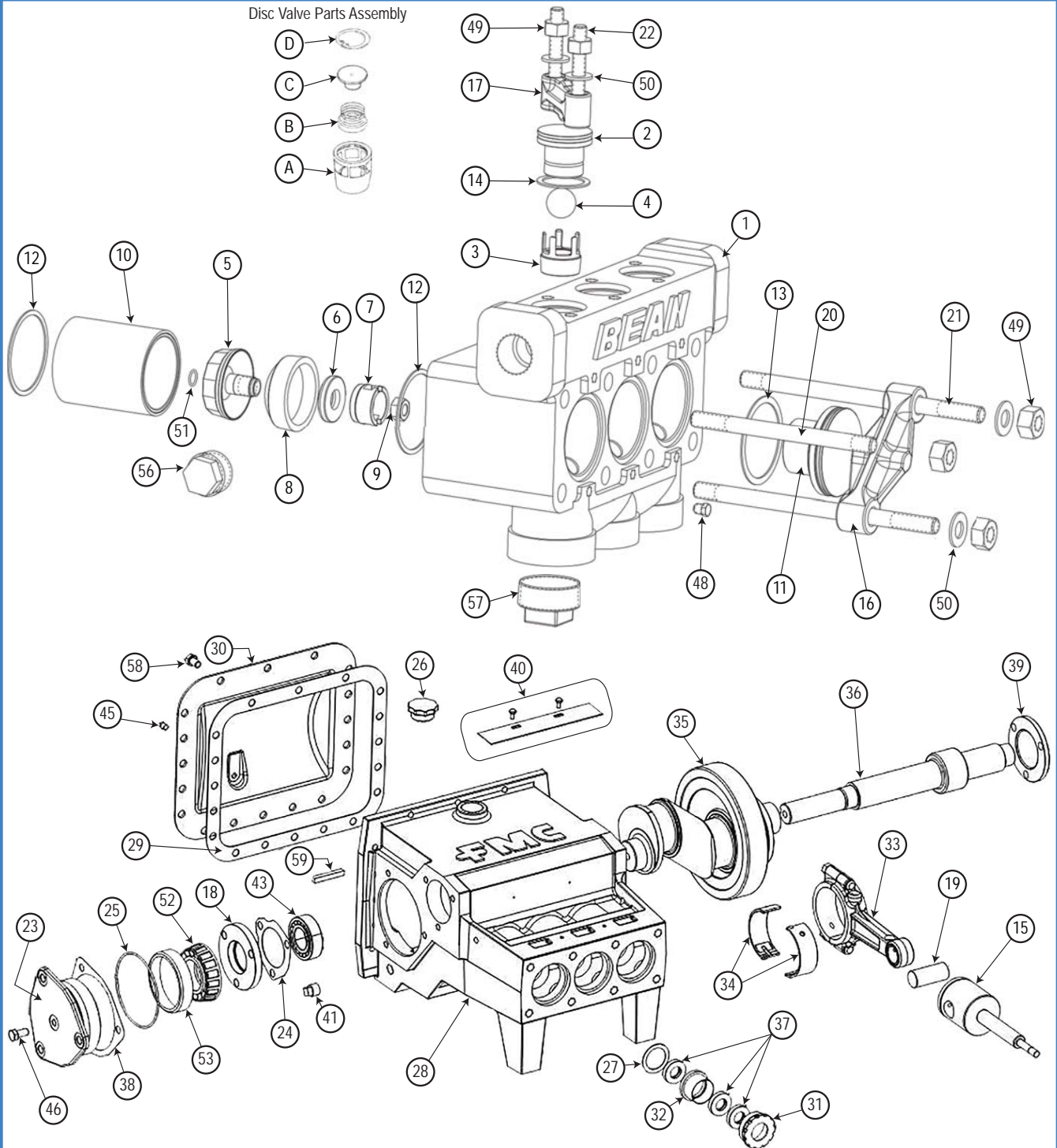


PUMPS - FMC water pumps

L09-420 Parts Diagram



Performance Table FMC L09-420

Pump Model	Piston Diameter (in)	Displacement (GAL/REV)	Max Pressure (PSI)	Pump Capacity (GPM) @ Input Speed (RPM)				
				350 RPM	625 RPM	700 RPM	750 RPM	890 RPM
L0918	2.750	0.0589	700	11.3	20.2	22.6	24.2	28.7



PUMPS - FMC L0918BCD

**FMC L09-420
PN - 160-00**



Specifications:

- Standard Suction Size: 1.50" NPT
- Standard Discharge Size: 1.00" NPT
- Pump Weight (Average): 200 lbs

Features:

- Fluid end material of cast iron
- Pump can be easily repacked
- Ceramic cylinders
- Internal gear reduction in crankcase eliminates need for large sheaves
- Ball valves are available for pumping viscous materials such as drilling muds

Item	Description	Qty	Part #.	Item	Description	Qty	Part #.
1	Valve Chamber	1	1255266	31	Packing Nut	3	1283600
2	Valve Cover	3	A5003	32	Sleeve	3	1283601
3	Valve Seat	6	1225327	33	Connecting Rod	3	18710
4	15/16" SS Ball	6	1187738	34	Bearing Eccentric	6	P510831
	7/8" SS Ball	6	1101418	35	Eccentric Gear Ass'y	1	1279071
5	Packing Cup	3	8495	36	Pinion Shaft	1	1265098
6	Packing Washer	3	1207289	37	Plunger Rod Seal	6	1283603
7	Plunger Nut	3	A5016	38	Shim	5	1252594
8	Packing - Standard	3	A3434N	39	Bearing Cap	1	1225769
	Packing - Abrasive	3	5260052	40	Cover Plate Assembly	1	1214260
9	Hex Nut 1/2 - 13 SS	3	8309	41	Lube Fitting	3	1100759
10	Porcelain Cylinder	3	A5034M	42	Set Screw 5/16 - 18 x 1/2	3	1103470
	FMC Ceramic Porcelain Cyl.	3	1272060	43	Ball Bearing	2	1104444
11	Cylinder Head	3	A5002	44*	Seal Holder	3	1281655
12	Gasket Cylinder (Copper)	3	1280024	45	HHCS 3/8 - 16 x 1/2	14	1106910
	Gasket Cylinder (Fibre)	3	1280024F				
13	Gasket Cyl. Head(Copper)	3	1280025	46	HHCS 3/8 - 16 x 3/4	12	1100068
	Gasket Cyl. Head(Fibre)	3	1280025F				
14	Gasket Valve Cover(Copper)	3	1280026	47	HHCS 1/2 - 13 x 3/4	2	1106980
	Gasket Valve Cover(Fibre)	3	1280026F				
15	Crosshead & Rod	3	1250876	48	Plug, 1/2	2	1187048
16	Clamp Cylinder Head	3	1271415	49	Hex Nut 1/2 - 13	14	1121511
17	Clamp Valve Cover	3	1271716	50	Lock Washer	3	1100243
18	Bearing Cap	1	A5005	51	O-ring 5/8 O.D. x 1/16	3	1101176
19	Pin	3	A5006	52	Cone Bearing	2	1101242
20	Stud Cylinder	2	A5009	53	Cup Bearing	2	1177287
21	Cylinder Cover Stud	6	A5011	54*	Bushing, Connecting Rod	3	A5046
22	Valve Clamp Stud	6	A5012	55*	Bolt, Connecting Rod	6	18743
23	Bearing Housing	2	1279064	56	Plug 1" Pipe	1	1105077
24	Gasket	2	A5026	57	Plug 1 - 1/2 Pipe	2	1105105
25	Gasket	2	A5025	58	Petcock 1/8 NPT	1	1187039
26	Oil Cap	1	A5054	59	Key	1	1187577
27	Packing Washer L09	3	1283602	A**	Seat Valve	1	1245786
28	Pump Case	1	5260537	B**	Disc & Spring Assy.	1	1250400
29	Gasket - Cover	1	1279065	C**	Valve Seat	1	5260958
30	Cover Assembly	1	1279063	D**	Snap Ring	1	1251822

* Parts 44, 54 & 55 are not illustrated

** Parts A, B, C, D are part of Disc Valve Parts Assembly
Part # 1256641

