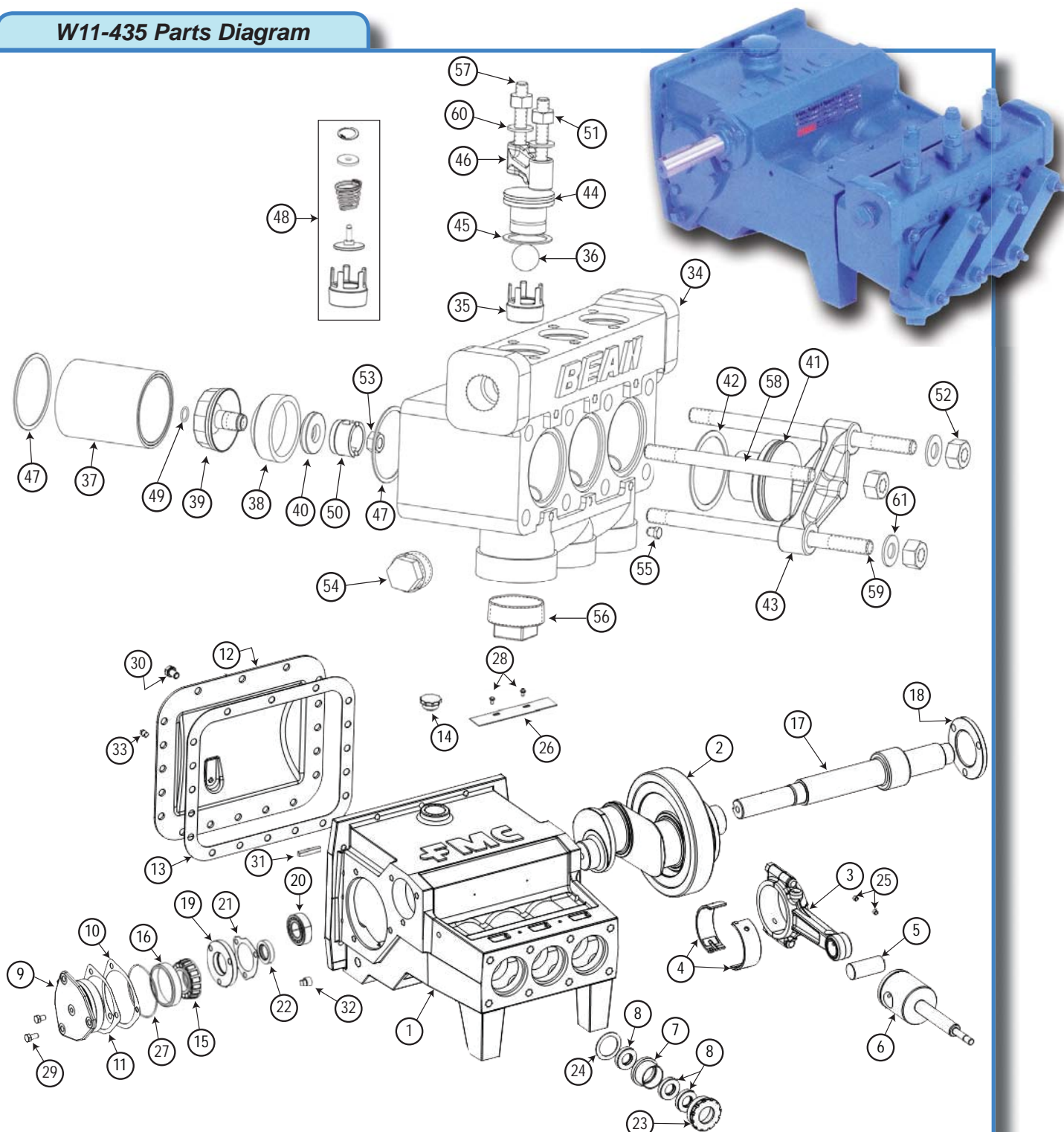


PUMPS - FMC water pumps

W11-435 Parts Diagram



Performance Table FMC W11-435

Pump Model	Piston Diameter (in)	Displacement (GAL/REV)	Max Pressure (PSI)	Pump Capacity (GPM) @ Input Speed (RPM)				
				350 RPM	500 RPM	635 RPM	750 RPM	900 RPM
W1122	2.750	0.0589	1,000	20.6	29.5	37.4	44.2	53.0



PUMPS - FMC W1122BCD

**FMC
W11-435
PN - 160-04**

Specifications:

- Standard Suction Size: 2.00" NPT
- Standard Discharge Size: 1.25" NPT
- Pump Weight (Average): 425 lbs

Features:

- Fluid end material of ductile iron
- Pump can be easily repacked
- Ceramic cylinders
- Internal gear reduction in crankcase eliminates need for large sheaves
- Ball valves are available for pumping viscous materials such as drilling muds

Item	Description	Qty	Part #	Item	Description	Qty	Part #
1	Pump Case	1	5257698	39	Piston Holder	3	A91663
2	Crankshaft & Gear	1	1285094	40	Piston Retainer	3	1216753
3	Connecting Rod	3	5266814	41	Cylinder Cover	3	1285112
3A	Bushing, Connecting Rod	3	9226	42	Gasket Cylinder Cover - Fiber	3	1279674
3B	Bolt Connecting Rod	6	18744		Gasket Cylinder Cover - Copper	3	1247390
3C	Nut 1/2 - 20 elas. stop	6	1101270	43	Cylinder Cover Clamp Casting	3	A80392
4	Rod Bearing	6	P506675	44	Valve Cover	3	1285113
5	Wrist Pin	3	A91014	45	Gasket Valve Cover - Fiber	3	1279675
6	Crosshead Assembly	3	1252939		Gasket Valve Cover - Copper	3	1247388
8	Oil Seal	9	1177489	46	Valve Cover Clamp	3	A80391
9	Bearing Housing	2	1248369	47	Gasket Stuffing Box - Fiber	6	1279676
10	Gasket	2	A91675		Gasket Stuffing Box - Copper	6	1247389
11	Shim	6	1252595	48 *	Valve Disc Assembly	6	1278104
14	Oil Cap	1	A5054	48 A	Seat, Valve	6	1278054
15	Bearing Cone 2.25 Id X 1.1875 Lg	2	1177473	48 B	Valve	6	1283374
16	Bearing Cup 4.4375 Od X 1.1875 Lg	2	1177474	48 C	Spring	6	1283377
18	Pinion Cap	1	P508916	48 D	Washer	6	1283376
19	Pinion Bearing Cap (Used with Oil Seal 5257339)	1	5257338	48 E	Retaining Ring	6	1101229
21	Gasket	2	A91674	49	O-Ring 0.489 Id X 0.070 CS	3	1101176
22	Oil Seal (for Pinion Bearing Cap 5257338)	1	5257339	50	Plunger Nut 3/4-16 Unf	3	A5016
23	Packing Nut	3	1266323	51	Heavy Hex Nut 1/2-13 Unc-2B	6	1121511
26	Inspection Plate	1	5260567	52	Heavy Hex Nut 5/8-11 Unc-2B	8	1121513
28	Cap Screw, Hx Hd, 1/4-20 Unc2A X 0.5 Lg	2	1100804	53	Nut, Hex 1/2-13 Unc	3	8309
30	Cap Screw, Hx Hd, 1/2-13 Unc2A X 0.75 Lg	20	1106980	54	Plug; 1-1/4"	1	BI-109-J
32	Pipe Plug Sq Hd 1/2 Npt Carbon Steel	2	1187048	55	Pipe Plug; Hex Head 1/8-27 Npt	6	1187048
34	Fluid Cylinder	1	1284777	56	Square Head Plug	2	1105121
35	Ball Seat	6	1284740	57	Stud 1/2-13Unc-2A X 3.5 Long	6	A5076
36	Ball, 1-1/8 Dia	6	1101419	58	Stud 5/8-11 Unc-2A X 7.88 Long	2	A91672
37	Cylinder-Ceramic	3	1267586	59	Stud 5/8-11 Unc-2A X 10.5 Long	6	1279602
	Cylinder-Porcelain	3	A91664CLM				
38	Cylinder Packing, Abrasive	3	5260221				
	Cylinder Packing, Standard	3	A268N				
18 Hole Back Cover Parts				16 Hole Back Cover Parts (pre 2014)			
7	Seal Holder	3	3268369	7	Sleeve, Packing nut	3	1266365
12	Back Cover - 18 Hole	1	P508969	12	Back Cover - 16 Hole	1	1250332
13	Back Cover Gasket - 18 Hole	1	P508966	13	Back Cover Gasket - 16 Hole	1	A91676
17	Pinion Shaft	1	P511596	17	Pinion Shaft	1	1266790
	Pinion Shaft (double sided)	1	P513120		Pinion Shaft (double sided)	1	34654
20	Bearing, Spherical Roller	2	P511746	20	Ball Bearing	2	1272558
24	Gasket	3	3268418	24	Washer, Packing	3	19510
25	Set Screw	6	1103470	25	Set Screw 5-16-18x 5/16	6	1182554
27	O-Ring 5.234 Id X 0139 Cs	2	3226710	29	Capscrew, hex head 1/2 -13 x 1-1/4	12	1100055
29	Cap Screw, Hx Hd, 1/2-13 Unc2A X 1.0 Lg	12	1100054	33	Petcock	1	1187039
31	Key 3/8" Sq X 2 1/2" Long	1	1104349	NS	Lube Fitting, 1/8 C/Z	3	1100759
33	Pipe Plug Sq Hd 1/8 Npt Hd Polyethylene	1	3269460	58	Stud 5/8-11 Unc-2A X 7.88 Long	2	A91672
60	Washer, Flat 1/2 Type A	6	1107385	59	Stud 5/8-11 Unc-2A X 10.5 Long	6	1279602
61	Washer, Flat 5/8 Type A	6	1107386				
NS	Pipe Plug Sq Hd 1-1/4 Npt Hd Polyethylene	1	3269461				



North America 1-800-669-3542
International +1-705-647-8138



www.timeltd.ca