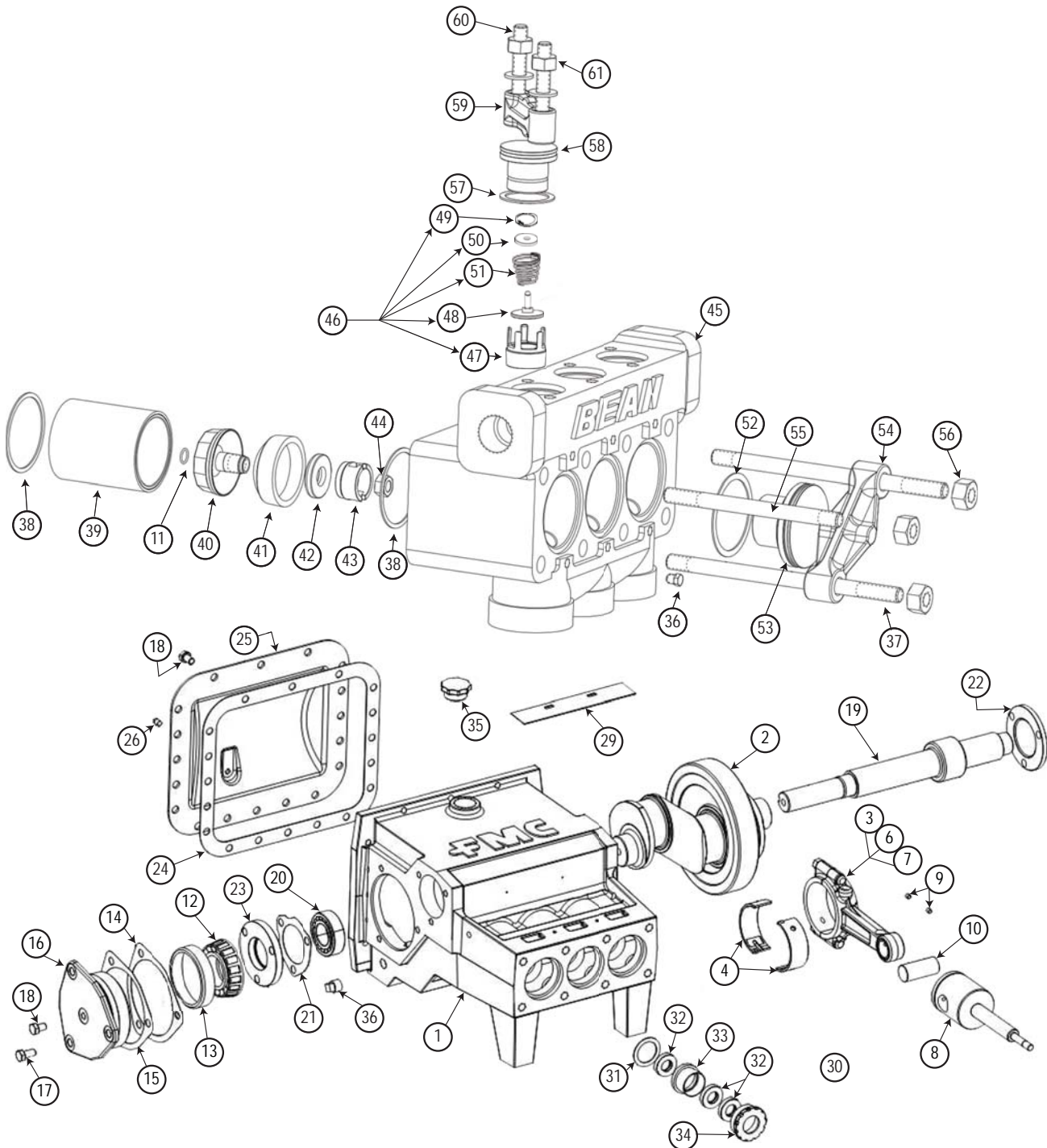


PUMPS - FMC water pumps

L11-470 Parts Diagram



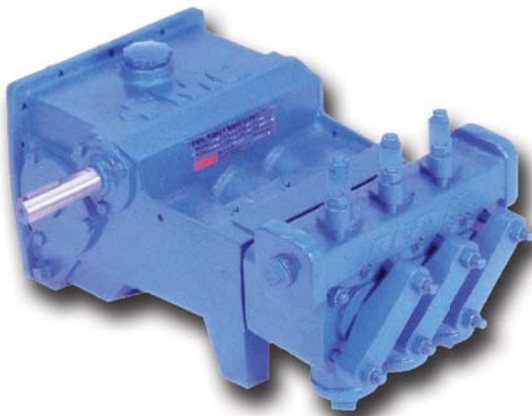
Performance Table FMC L11-470

Pump Model	Piston Diameter (in)	Displacement (GAL/REV)	Max Pressure (PSI)	Pump Capacity (GPM) @ Input Speed (RPM)				
				360 RPM	690 RPM	900 RPM	1050 RPM	1275 RPM
L1122	2.750	0.0589	1,000	21.2	40.7	53.0	61.9	75.1



PUMPS - FMC L1122D

FMC - L11-470
PN - 160-08



Item	Description	Qty	Part #	Item	Description	Qty	Part #
1	Pump Case	1	5257698	38	Gasket Cyl., Fiber	6	1279676
2	Crankshaft	1	1285094		Gasket Cyl., Copper	6	1247389
3	Connecting Rod	3	5266814	39	Cyl., FMC Ceramic	3	1267586
4	Bearing Insert	3	1280910		Cyl., Porcelain	3	A91664CLM
5	Bushing, Connecting Rod	3	9226	40	Cup	3	A91663
6	Bolt Connecting Rod	6	18744	41	Cyl. Packing, Standard	3	A268N
7	Nut ½ - 20 elas. stop	6	1101270		Cyl. Packing, Abrasive	3	5260221
8	Crosshead & Rod Assembly	3	1252939	42	Washer	3	1216753
9	Set Screw 5-16-18x 5/16	6	1182554	43	Nut, Plunger	3	A5016
10	Wrist Pin	3	A91014	44	Nut, Special	3	8309
11	O-ring 5/8 O.D. x 1/16	3	1101176	45	Valve Chamber	1	5257262
12	Cone, Bearing	2	1177473	46	Disc Valve Assembly	6	5255419
13	Cup Bearing	2	1177474	47*	Seat, Valve	6	5253514
14	Gasket	2	A91675	48*	Valve	6	5260847
15	Shim	A/R	1252595	49*	Retaining Ring	6	320153
16	Housing, Crankshaft Bearing	2	1248369	50*	Washer	6	5260848
17	Capscrew, hex ½ -13 x 1¼	12	1100055	51*	Spring	6	1283377
18	Capscrew, hex ½ -13 x ¾	18	1106980	52	Cyl. Head O-Ring	3	1177476
19	Pinion Shaft	1	1266790	53	Cyl. Cover	3	1285112
	Pinion Shaft (double sided)	1	34654	54	Clamp Cyl. Head	3	A80392
20	Ball Bearing	2	1272558	55	Stud	2	A91672
21	Gasket	2	A91674	56	Nut, hex 5/8 -11	8	1121513
22	Cap, Bearing	1	A80795	57	Valve Cover O-Ring	3	1279675
23	Cap, Pinion Bearing	1	1266789	58	Valve Cover	3	1285113
24	Gasket, Cover	1	A91676	59	Clamp, Valve Cover	3	A80391
25	Cover, Plate	1	1250332	60	Stud, ½ x 3-1/4	6	A5076
26	Petcock	1	1187039	61	Nut, Hex ½ - 13	6	1121511
29	Inspection Plate	1	5260567				
30	Lube Fitting, 1/8 C/Z	3	1100759				
31	Washer, Packing	3	19510				
32	Seal, Oil	6	1177489				
33	Sleeve, Packing nut	3	1266365				
34	Nut, Plunger Rod	3	1266323				
35	Cap, Oil	1	A5054				
36	Plug, ½ pipe, magnetic	2	1187048				
37	Stud, long 5/8 diam.	6	5251859				

Specifications:

- Standard Suction Size: 2.50" NPT
- Standard Discharge Size: 1.25" NPT
- Pump Weight (Average): 460 lbs

Features:

- Fluid end material of ductile iron
- Pump can be easily repacked
- Ceramic cylinders
- Internal gear reduction in crankcase eliminates need for large sheaves
- Ball valves are available for pumping viscous materials such as drilling muds

* Items 47 thru 51 are parts included in item 46

