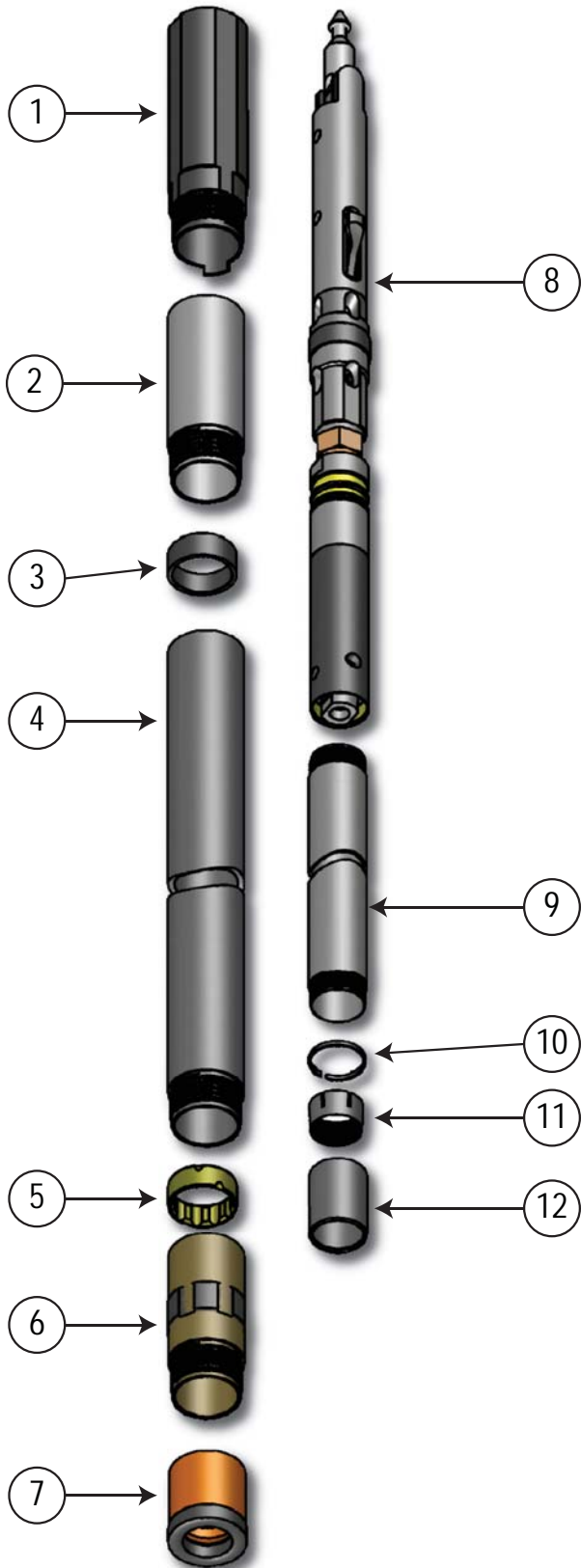
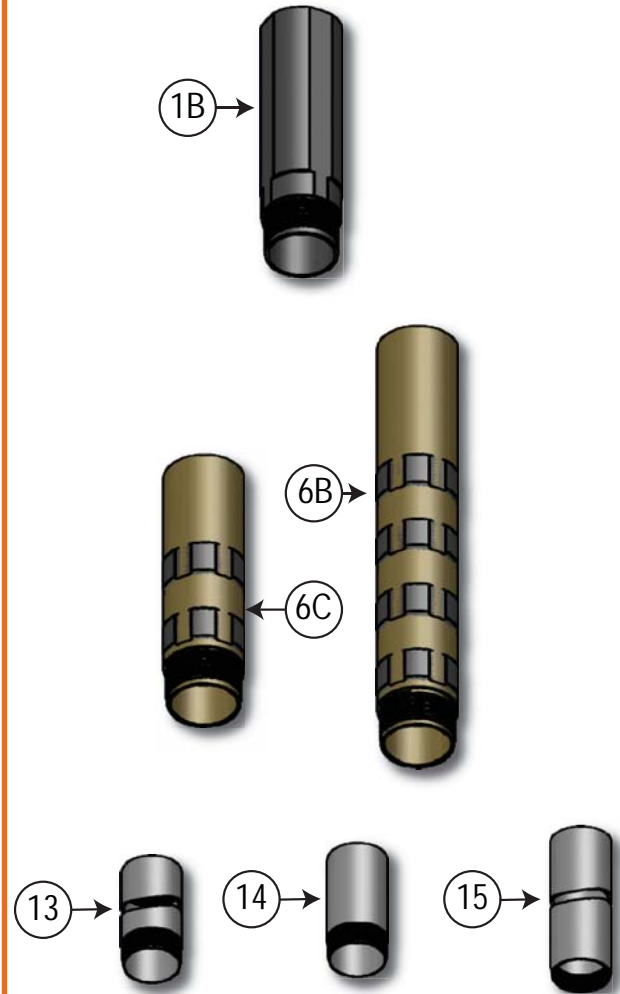


Drilling & Exploration - Core Barrels

Core Barrel



Core Barrel Accessories



Drilling & Exploration - Core Barrels

Core Barrel



Item	Description	Part Numbers for Each Size				
		B	N	N2	H	
	Assembly	90-02-310-TL	90-02-410-TL	90-27-410-TL	90-02-510-TL	
1	Locking Coupling Tanged	90-21-334	90-21-434	90-21-434	90-21-534	
2	Adapter Coupling	90-21-335	90-21-435	90-21-435	90-21-535	
3	Landing Ring	90-21-336	90-21-436	90-27-436	90-21-536	
4	Outer Tube	3m	90-21-350	90-21-450	90-21-450	90-21-550
		1.5m	90-21-345	90-21-445	90-21-445	90-21-545
5	Inner Tube Stabilizer	90-21-339	90-21-439	90-27-439	90-21-539	
6	Standard Shell	**	**	**	**	
7	Bit	**	**	**	**	
8	Head Assembly	90-20-302-TL	90-20-402-TL	90-27-402-TL	90-21-502-TL	
9	Inner Tube	3m	90-21-330	90-21-430	90-27-430	90-21-530
		1.5m	90-21-325	90-21-425	90-27-425	90-21-525
10	Stop Ring	90-21-332	90-21-432	90-27-432	90-21-532	
11	Core Lifter	Slotted	90-21-333	90-21-433	90-27-433	90-21-533
		Broached	90-21-333B	90-21-433B	90-27-433B	90-21-533B
12	Core Lifter Case	90-21-331	90-21-431	90-27-431	90-21-531	

Accessories

1B	Locking Coupling Hex	90-21-334-H	90-21-434-H	90-21-434-H	90-21-534-H
6B	Double Length Shell	**	**	**	**
6C	Long Shell	**	**	**	**
13	Extension, Inner Tube, Double Length Shell	90-21-393	90-21-493	90-21-493	90-21-593
14	Extension, Inner Tube, Long Shell	90-21-392	90-21-492	90-21-492	90-21-592
15	Coupling - Inner Tube	90-21-391	90-21-491	90-21-491	90-21-591

** Multiple choices, please see accessories section below.

