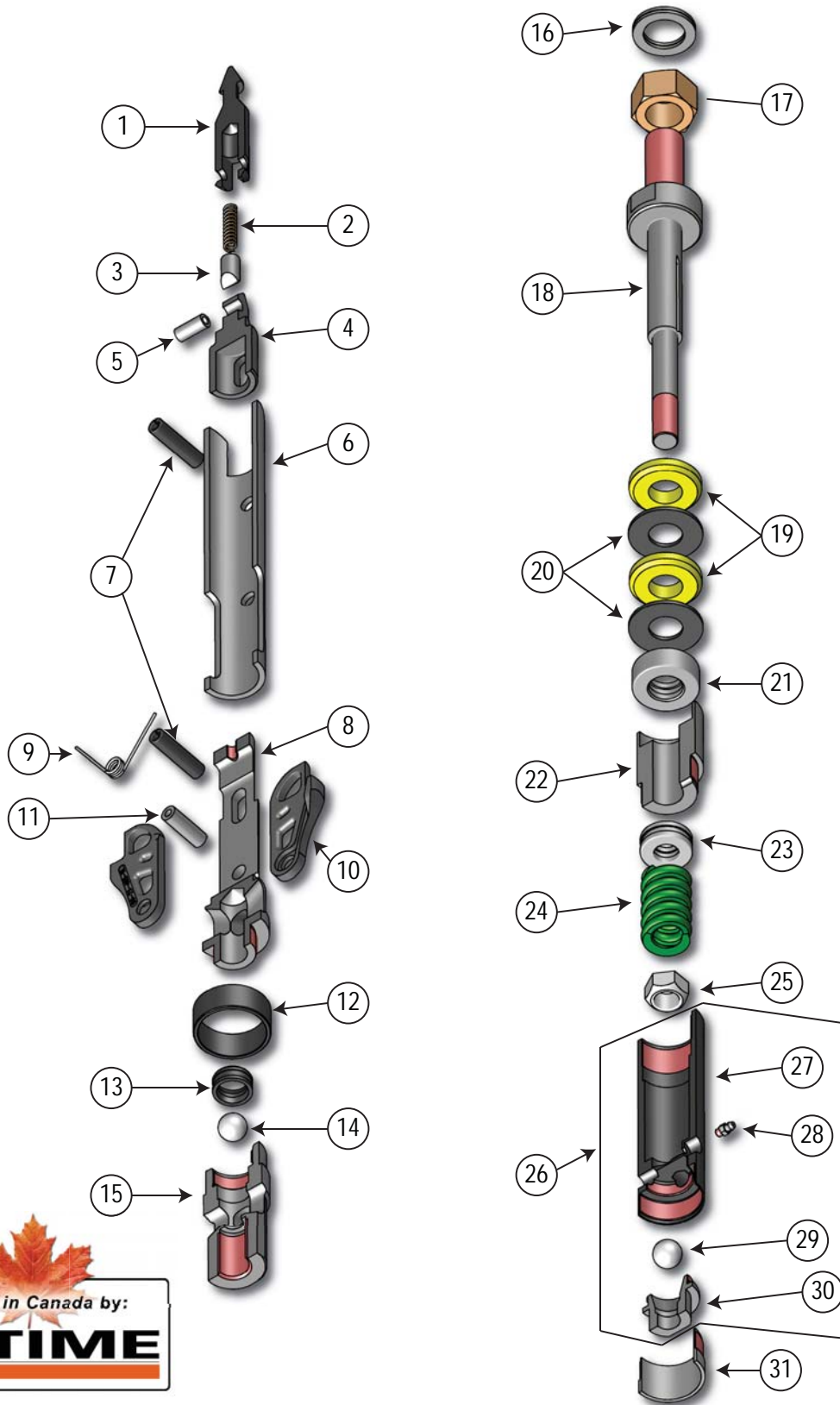


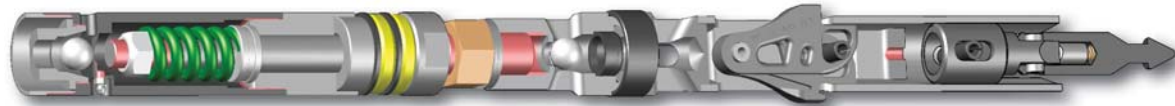
# Drilling & Exploration - Core Barrels

## Core Barrel - TIME Latch Head Assembly



# Drilling & Exploration - Core Barrels

## Core Barrel - TIME Latch Head Assembly



Item	Description	Part Numbers for Each Size			
		B	N	N2	H
	Assembly	90-20-302-TL	90-20-402-TL	90-27-402-TL	90-21-502-TL
1	Spearhead Point	90-22-301	90-22-301	90-22-301	90-22-301
2	Spring, Compression	90-22-302	90-22-302	90-22-302	90-22-302
3	Detent Plunger	90-22-303	90-22-303	90-22-303	90-22-303
4	Base, Spearhead	90-22-304	90-22-404	90-22-404	90-22-504
5	Pin, Spirol	90-22-305	90-22-305	90-22-305	90-22-305
6	Latch Retracting Case	90-22-306-TL	90-22-406-TL	90-22-406-TL	90-22-506-TL
7	Pin, Spring	90-21-303	90-21-403	90-21-403	90-21-503
8	Latch Body, Upper	90-21-309-1-TL	90-21-409-1-TL	90-21-409-1-TL	90-21-509-1-TL
9	Latch Spring	90-21-304-TL	90-21-404-TL	90-21-404-TL	90-21-404-TL
10	Latch	90-21-305-TL	90-21-405-TL	90-21-405-TL	90-21-505-TL
11	Pin, Spirol, Latch Pivot	90-21-306-TL	90-21-406-TL	90-21-406-TL	90-21-506-TL
12	Landing Shoulder	90-21-309-2	90-21-409-2	90-27-409	90-21-509-2
13	Bushing, Landing Indicator	90-29-380	90-29-380	90-29-380	90-29-380
14	Ball, Landing Indicator	90-21-421	90-21-421	90-21-421	90-21-421
15	Latch Body, Lower	90-21-309-3-TL	90-21-409-3-TL	90-21-409-3-TL	90-21-509-3-TL
16	Lockwasher	90-21-310-LW	90-21-410-LW	90-21-410-LW	90-21-510-LW
17	Jam Nut	90-21-310	90-21-410	90-21-410	90-21-510
18	Spindle	90-21-311	90-21-411	90-21-411	90-21-511
19	Shut Off Valve	90-21-312-U	90-21-412-U	90-21-412-U	90-21-512-U
20	Washer	90-21-313	90-21-413	90-21-413	90-21-513
21	Bearing, Spindle, Upper	90-21-314	90-21-414	90-21-414	90-21-514
22	Bushing, Spindle	90-21-315	90-21-415	90-21-415	90-21-515
23	Bearing, Spindle, Lower	90-21-324	90-21-424	90-21-424	90-21-524
24	Spring, Compression	90-21-316	90-21-416	90-21-416	90-21-516
25	Lock Nut	90-21-317	90-21-417	90-21-417	90-21-517
26	Assembly, Inner Tube Cap (includes 27-30)	90-21-319	90-21-419	90-27-419	90-21-519
27	Cap, Inner Tube Body	90-21-320	90-21-420	90-27-420	90-21-520
28	Grease Fitting	90-29-020	90-29-020	90-29-020	90-29-020
29	Ball	90-21-321	90-21-421	90-21-421	90-21-521
30	Check Valve Body	90-21-323	90-21-423	90-21-423	90-21-523
31	Protector, Inner Tube Cap	90-21-360	90-21-460	90-21-460	90-21-560

