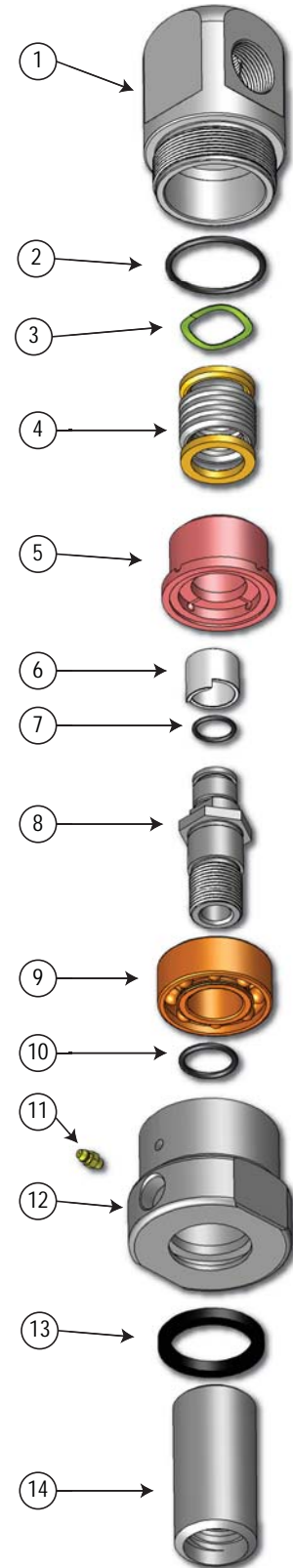
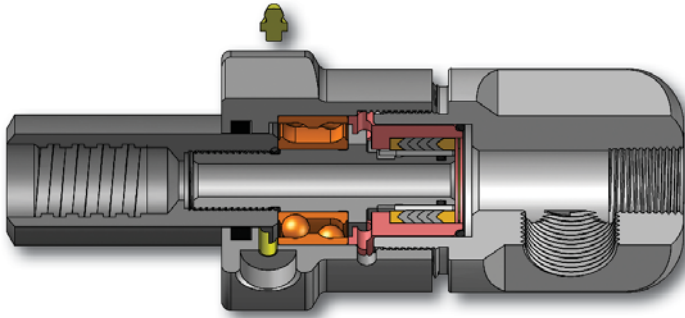


Drilling & Exploration - Water Swivel

Underground Water Swivel



Item	Description	Part Number
Full Assembly Underground Water Swivel		
	• AW Rod Box	92-11-100
Repair Kit (see below)		92-11-200
1	Cap, Swivel	92-11-101
2	O-Ring	568-225-90
3	Spring, Wave Washer	92-12-111
4	Assembly, Seal Kit (see below)	92-12-150
5	Housing, Packing	92-12-104
6	Sleeve, Wear	92-12-105
7	O-Ring	568-116-90
8	Spindle	92-12-106
9	Bearing, Angular Contact	92-12-114
10	O-Ring	568-120-90
11	Grease Fitting	90-29-020
12	Body, Lower	92-11-110
13	Gasket, Felt	92-12-113
14	Extension, AW Rod Box	92-12-123

** 92-11-200 Repair Kit Includes **

Qty	Description
3 Sets	O-Rings
2	Spring, Wave Washers
2	Assembly, Seal Kit
2	Sleeve, Wear
1	Bearing, Angular Contact
2	Gasket, Felt

