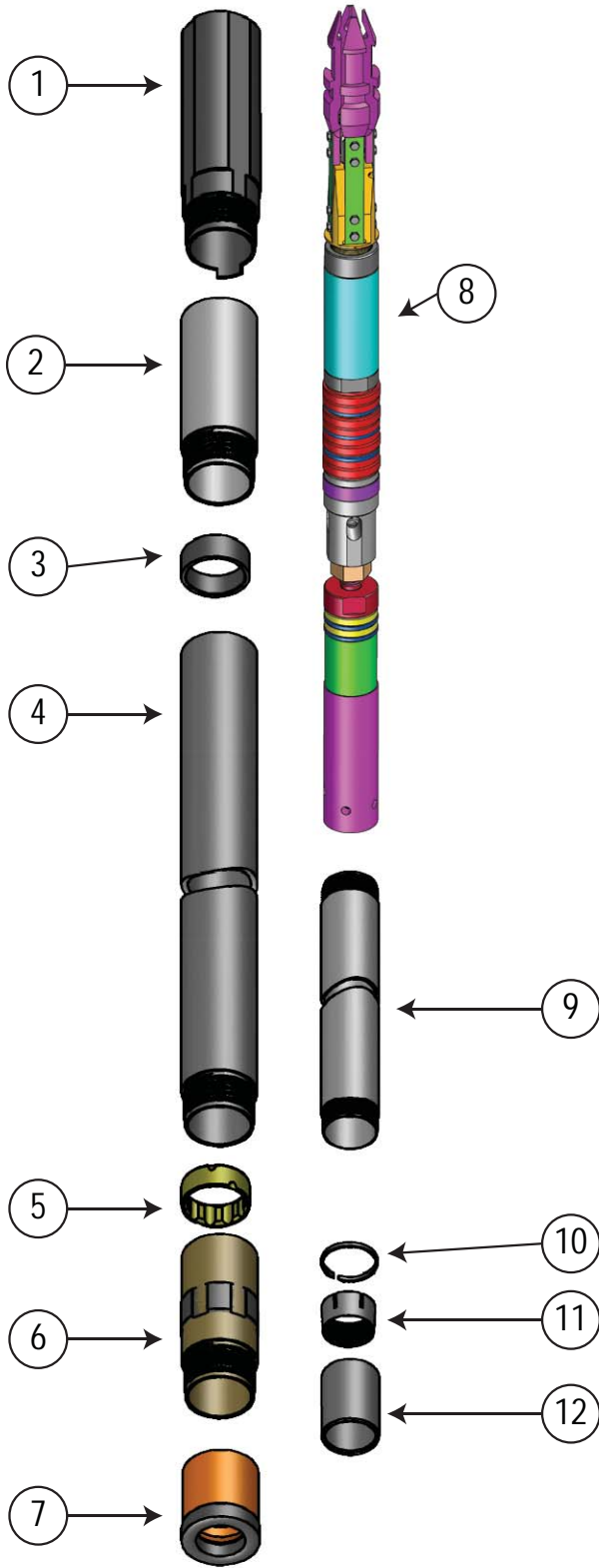
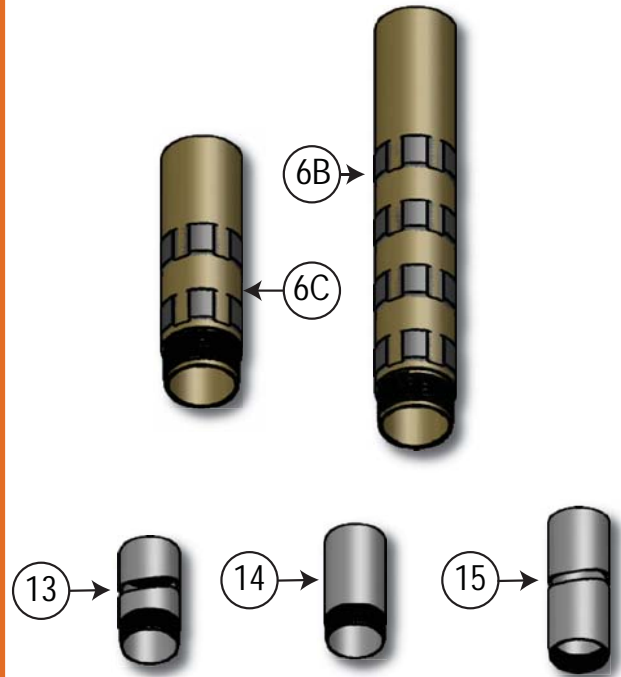


# Drilling & Exploration - Q/L Core Barrels

## Quad Latch Core Barrel

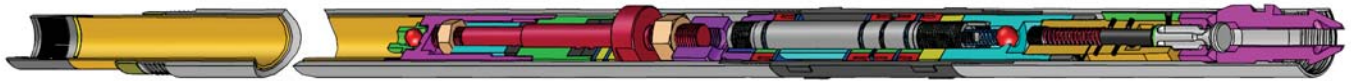


## Core Barrel Accessories



# Drilling & Exploration - Q/L Core Barrels

## Quad Latch Core Barrel



Item	Description	Part Numbers for Each Size			
		B	N	H	
	Assembly	92-45-300	92-45-400	92-45-500	
1	Locking Coupling	92-45-335	92-45-435	92-45-535	
2	Adapter Coupling	N/A	N/A	92-44-516	
3	Landing Ring	90-21-336	90-21-436	90-21-536	
4	Outer Tube	3m	90-21-350	90-21-450	90-21-550
		1.5m	90-21-345	90-21-445	90-21-545
5	Inner Tube Stabilizer	90-21-339	90-21-439	90-21-539	
6	Standard Shell	**	**	**	
7	Bit	**	**	**	
8	Head Assembly	92-45-302	92-45-402	92-45-502	
9	Inner Tube	3m	90-21-330	90-21-430	90-21-530
		1.5m	90-21-325	90-21-425	90-21-525
10	Stop Ring	90-21-332	90-21-432	90-21-532	
11	Core Lifter	Slotted	90-21-333	90-21-433	90-21-533
		Broached	90-21-333B	90-21-433B	90-21-533B
12	Core Lifter Case	90-21-331	90-21-431	90-21-531	
<b>Accessories</b>					
6B	Double Length Shell	**	**	**	
6C	Long Shell	**	**	**	
13	Extension, Inner Tube, Double Length Shell	90-21-393	90-21-493	90-21-593	
14	Extension, Inner Tube, Long Shell	90-21-392	90-21-492	90-21-592	
15	Coupling - Inner Tube	90-21-391	90-21-491	90-21-591	

\*\* Multiple choices, please see accessories section below.

