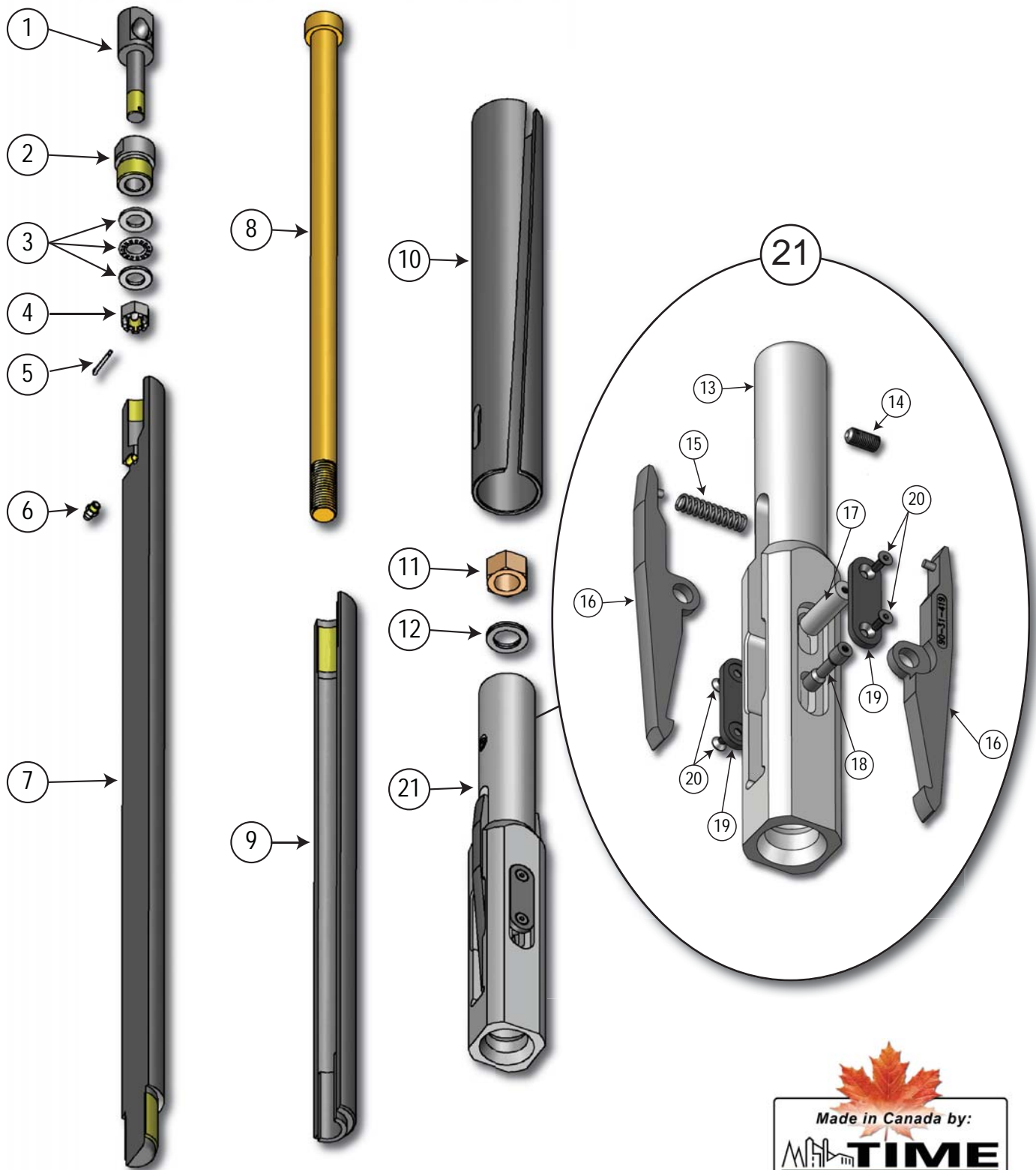


# Drilling & Exploration - Core Barrels

## Overshot



# Drilling & Exploration - Core Barrels

## Overshot



| Item | Description            | Part Numbers for Each Size |              |              |              |
|------|------------------------|----------------------------|--------------|--------------|--------------|
|      |                        | B                          | N            | H            | P            |
|      | Overshot Assembly      | 90-32-300-TL               | 90-32-400-TL | 90-32-500-TL | 90-32-600-TL |
| 1    | Cable Swivel Eye Bolt  | 90-31-201                  | 90-31-201    | 90-31-201    | 90-31-201    |
| 2    | Cable Swivel Collar    | 90-31-202                  | 90-31-202    | 90-31-202    | 90-31-202    |
| 3    | Thrust Bearing         | 90-31-204                  | 90-31-204    | 90-31-204    | 90-31-204    |
| 4    | Castle Nut             | 90-31-205                  | 90-31-205    | 90-31-205    | 90-31-205    |
| 5    | Cotter Pin             | 90-31-206                  | 90-31-206    | 90-31-206    | 90-31-206    |
| 6    | Grease Fitting         | 90-29-020                  | 90-29-020    | 90-29-020    | 90-29-020    |
| 7    | Cable Swivel Body      | 90-32-407                  | 90-32-407    | 90-32-407    | 90-32-407    |
| 8    | Jar Staff              | 90-32-412                  | 90-32-412    | 90-32-412    | 90-32-412    |
| 9    | Jar Tube               | 90-32-421                  | 90-32-421    | 90-32-421    | 90-32-421    |
| 10   | Locking Sleeve         | 90-31-411                  | 90-31-411    | 90-31-411    | 90-31-411    |
| 11   | Hex Nut                | 90-31-408                  | 90-31-408    | 90-31-408    | 90-31-408    |
| 12   | Lock Washer            | 90-31-408-LW               | 90-31-408-LW | 90-31-408-LW | 90-31-408-LW |
| 13   | Overshot Head Body     | 90-32-315-TL               | 90-32-415-TL | 90-32-515-TL | 90-32-615-TL |
| 14   | Set Screw              | 90-31-314                  | 90-31-314    | 90-31-314    | 90-31-314    |
| 15   | Compression Spring     | 90-31-316                  | 90-31-316    | 90-31-316    | 90-31-316    |
| 16   | Lifting Dog            | 90-31-419                  | 90-31-419    | 90-31-419    | 90-31-419    |
| 17   | Pivot Pin              | 90-32-417-TL               | 90-32-417-TL | 90-32-417-TL | 90-32-417-TL |
| 18   | Sway Pin               | 90-32-418-TL               | 90-32-418-TL | 90-32-418-TL | 90-32-418-TL |
| 19   | Pin Link               | 90-32-499                  | 90-32-499    | 90-32-499    | 90-32-499    |
| 20   | Cap Screw              | 90-32-498                  | 90-32-498    | 90-32-498    | 90-32-498    |
| 21   | Overshot Head Assembly | 90-32-397                  | 90-32-497    | 90-32-597    | 90-32-697    |

