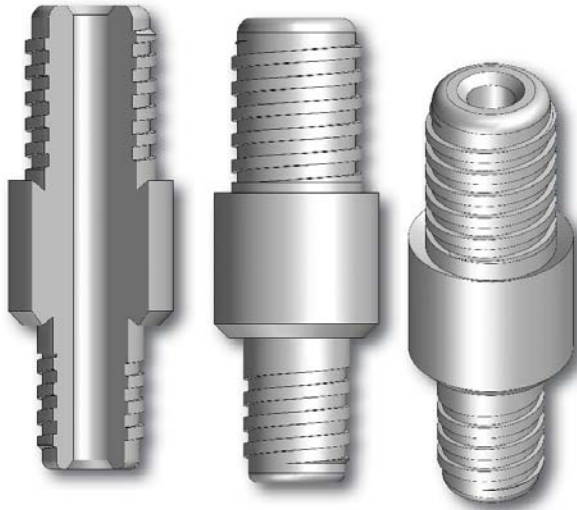


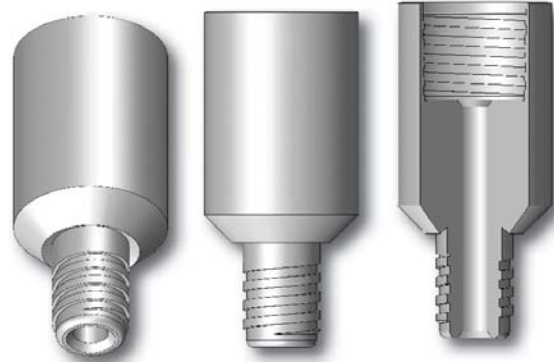
Drilling Wedges - Subs

Sub, Water Swivel & Hoisting Plug



| Part Number | Description |
|-------------|------------------------|
| 93-51-200 | SUB EW R/P TO BW/L R/P |
| 93-51-201 | SUB AW R/P TO BW/L R/P |
| 93-51-202 | SUB AW R/P TO NW/L R/P |
| 93-51-203 | SUB AW R/P TO HW/L R/P |
| 93-51-204 | SUB AW R/P TO HWT R/P |
| 93-51-211 | SUB AW R/P TO BT R/P |
| 93-51-212 | SUB AW R/P TO NT R/P |
| 93-51-214 | SUB AW R/P TO HT R/P |
| 93-51-215 | SUB AW R/P TO HM R/P |
| 93-51-301 | SUB BW R/P TO BW/L R/P |
| 93-51-302 | SUB BW R/P TO NW/L R/P |
| 93-51-303 | SUB BW R/P TO HW/L R/P |
| 93-51-304 | SUB BW R/P TO HWT R/P |
| 93-51-310 | SUB BW R/P TO BT R/P |
| 93-51-311 | SUB BW R/P TO NT R/P |
| 93-51-312 | SUB BW R/P TO NM R/P |
| 93-51-313 | SUB BW R/P TO HT R/P |
| 93-51-401 | SUB NW R/P TO NW/L R/P |
| 93-51-402 | SUB NW R/P TO HW/L R/P |
| 93-51-411 | SUB NW R/P TO NT R/P |
| 93-51-413 | SUB NW R/P TO HT R/P |

Sub, Wedging and Fishing Tools



| Part Number | Description |
|-------------|--------------------------------|
| 93-55-300 | SUB BW/L R/B TO EW R/P |
| 93-55-301 | SUB BW/L R/B TO AW R/P |
| 93-55-302 | SUB BW/L R/B TO BW R/P |
| 93-55-315 | SUB BWL R/B TO AX R/P |
| 93-55-310 | SUB BT R/B TO EW R/P |
| 93-55-311 | SUB BT R/B TO AW R/P |
| 93-55-311 | SUB BT R/B TO AW R/P |
| 93-55-312 | SUB BT R/B TO BW R/P |
| 93-55-401 | SUB NW/L R/B TO AW R/P |
| 93-55-401LG | SUB NW/L R/B TO AW R/P LRG BOR |
| 93-55-402 | SUB NW/L R/B TO BW R/P |
| 93-55-402LG | SUB NW/L R/B TO BW R/P LRG BOR |
| 93-55-403 | SUB NW/L R/B TO NW R/P |
| 93-55-417 | SUB NW/L R/B TO NX R/P |
| 93-55-411 | SUB NT R/B TO AW R/P |
| 93-55-412 | SUB NT R/B TO BW R/P |
| 93-55-413 | SUB NT R/B TO NW R/P |
| 93-55-501 | SUB HW/L R/B TO AW R/P |
| 93-55-502 | SUB HW/L R/B TO BW R/P |
| 93-55-503 | SUB HW/L R/B TO NW R/P |
| 93-55-511 | SUB HT R/B TO AW R/P |
| 93-55-512 | SUB HT R/B TO BW R/P |
| 93-55-513 | SUB HT R/B TO NW R/P |
| 93-55-611 | SUB HWT R/B TO AW R/P |
| 93-55-612 | SUB HWT R/B TO BW R/P |
| 93-55-613 | SUB HWT R/B TO NW R/P |

** R/B = Rod Box R/P = Rod Pin **

