

Fluid & Air Transfer - Valves

Mortrol Valve



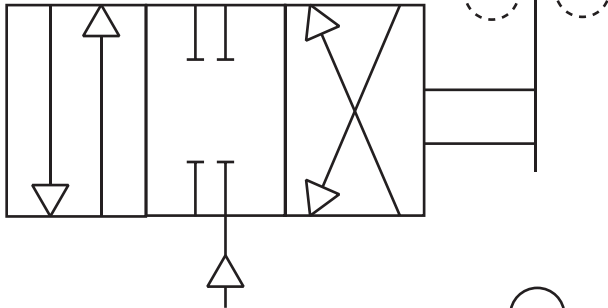
MORTROL VALVE

3 & 4 way – 250 PSI Service

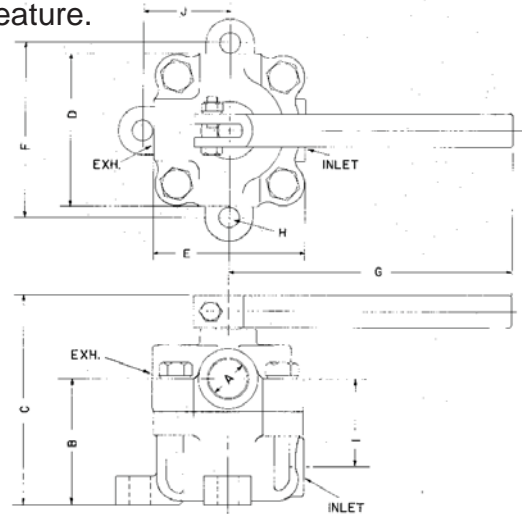
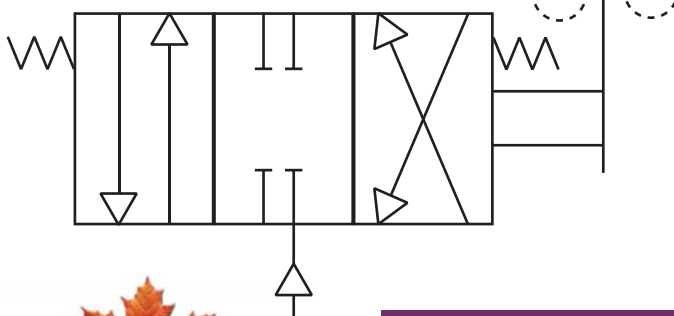
No other operating valves have all of these features:

- Pack-less construction – no valve packing to replace; no maintenance or service costs
- Fast or throttling action as desired
- No air or pressure loss through valve leakage wear-proof disc and seat
- Shielded sealing surfaces
- Line-pressure seals valve at all times
- 85% full pipe area through valve
- Position of handle indicates direction of flow
- Can be converted to a 3-way valve by plugging one hole
- Lockout safety feature.

Flow Diagrams
Standard



With Spring Return



Product Number	Size	Valve Type
300-00	1/2"	Standard
300-01	1/2"	Spring return to normal
302-00	3/4"	Standard
302-01	3/4"	Spring return to normal
304-00	1"	Standard
304-01	1"	Spring return to normal



Pipe Size										Weight in Lbs.
A	B	C	D	E	F	G	H	I	J	
1/2"	2-9/16"	4-1/8"	3-1/8"	3-5/16"	3-3/4"	5-3/4"	7/16"	1-13/16"	1-7/8"	6
3/4"	3-5/16"	5-7/16"	4-1/16"	4-1/8"	4-5/8"	7-1/2"	17/32"	2-5/16"	2-5/16"	11
1"	3-9/16"	5-3/4"	5"	5-1/8"	5-3/8"	8-1/2"	9/16"	2-5/8"	2-11/16"	16



North America 1-800-669-3542

International +1-705-647-8138

PAGE: FA20



www.timeltd.ca