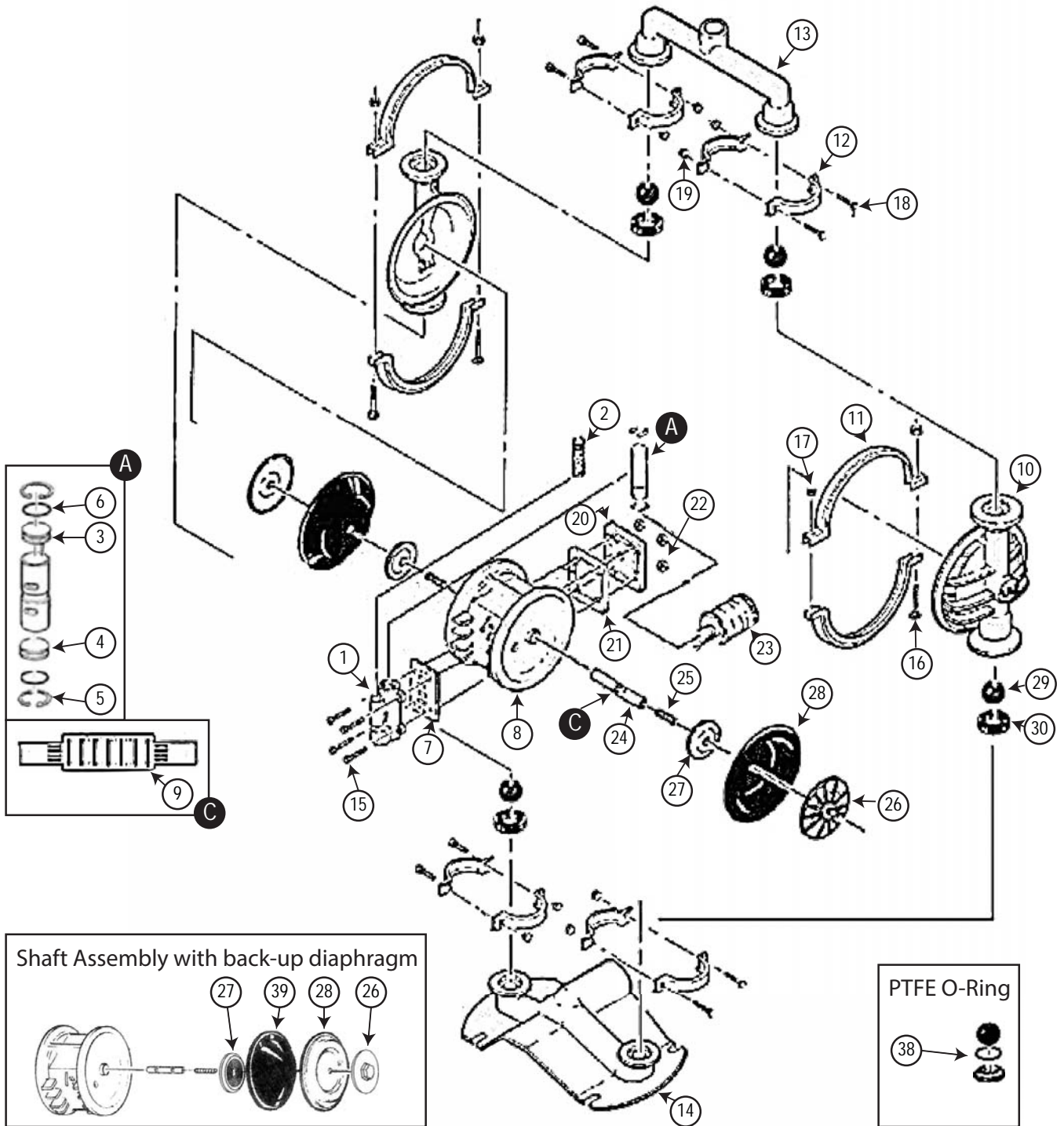


PUMPS - NOMAD Diaphragm pumps

NTG40 Parts Diagram



Shaft Assembly with back-up diaphragm

PTFE O-Ring



PUMPS - NOMAD NTG40

NTG40



NTG40 1-1/2" Aluminum Diaphragm Pump Assemblies

Part Number	Description
40-2693	Includes Neoprene Diaphragm, Valve Ball and Valve Seat
40-2696	Includes Buna Diaphragm, Valve Ball and Valve Seat
40-2697	Includes Nordel Diaphragm, Valve Ball and Valve Seat
40-26964	Includes Hytrel Diaphragm, Valve Ball and Valve Seat
40-2698	Includes Viton Diaphragm, Valve Ball and Valve Seat
40-2699	Includes Santoprene Diaphragm, Valve Ball and Valve Seat
40-2691	Includes PTFE Diaphragm, Valve Ball and Valve Seat

Air Inlet 13 mm (1/2")
 Inlet 38 mm (1-1/2")
 Outlet..... 32 mm (1-1/4")
 Suction Lift..... 5.49 m Dry (18')
 8.53 m Wet (28')
 Max. Flow Rate 288 lpm (76 gpm)
 Max. Size Solids 4.8 mm (3/16")
 Height 442 mm (17.4")
 Width 391 mm (15.4")
 Depth 285 mm (11.2")
 Est. Ship Weight Aluminum 17 kg (38 lbs)

H2O flow rates listed

Caution: Do not exceed 8.6 bar (125 psig) air supply pressure.

PTFE Diaphragms: reduce flow by 25%

Item	Description	Qty	Part #	Item	Description	Qty	Part #
1	Air Valve ASM	1	N04-2000-07	26	Outer Piston	2	N04-4552-01
	Air Valve ASM Gold	1	N04-2012-07		Outer Piston PTFE	2	N04-4600-01
2	Air Valve Screen	1	N04-2500-07	27	Inner Piston	2	N04-3700-01
3	Air Valve End Cap w/ Guide (Top)	1	N04-2300-23		Inner Piston PTFE	2	N04-3750-01
4	Air Valve End Cap w/out Guide (Bottom)	1	N04-2330-23	28	Diaphragm Neoprene	2	N04-1010-51
5	Air Valve Snap Ring	2	N04-2650-03		Diaphragm Buna	2	N04-1010-52
6	Air Valve Cap O-ring	2	N04-2390-52	29	Diaphragm Viton®	2	N04-1010-53
7	Air Valve Gasket	1	N04-2600-52		Diaphragm Nordel®	2	N04-1010-54
8	Center Section	1	N04315020225	30	Diaphragm PTFE	2	N04-1010-55
9	Center Block TRACKER™ Seal	7	N04321077225		Diaphragm Hytrel®	2	N04-1010-56
10	Liquid Chamber	2	N04-5000-01	31	Diaphragm Santoprene®	2	N04-1010-58
11	Clamp Band (Lg)	2	N04-7330-08		Valve Ball Neoprene	4	N04-1080-51
12	Clamp Band (Sm)	4	N04-7100-08	32	Valve Ball Buna	4	N04-1080-52
13	Discharge Manifold	1	N04-5020-01		Valve Ball Viton®	4	N04-1080-53
14	Inlet Manifold	1	N04-5080-01	33	Valve Ball Nordel®	4	N04-1080-54
15	Air Valve Cap Screw 1/4" - 20 x 2"	4	N04-6000-08		Valve Ball PTFE	4	N04-1080-55
16	Large Clamp Band Bolt 5/16"	4	N04-6070-08	34	Valve Ball Hytrel®	4	N04-1080-56
17	Large Hex Nut 5/16" - 18	4	N04-6420-08		Valve Ball Santoprene®	4	N04-1080-58
18	Small Clamp Band Bolt 1/4" -20 x 1-3/4"	8	N04-6050-08	35	Valve Seat Neoprene	4	N04-1120-51
19	Small Hex Nut 1/4" - 20	8	N04-6400-08		Valve Seat Buna	4	N04-1120-52
20	Muffler Plate	1	N04-3180-20	36	Valve Seat Viton®	4	N04-1120-53
21	Muffler Plate Gasket	1	N04-3500-52		Valve Sea Nordel®	4	N04-1120-54
22	Air Valve Hex Nut 1/4"-20	4	N04-6400-08	37	Valve Seat PTFE	4	N04-1120-55
23	Muffler	1	N04-3510-99		Valve Seat Hytrel®	4	N04-1120-56
24	Shaft	1	N0438000307	38	Valve Seat Santoprene®	4	N04-1120-58
	Shaft - PTFE	1	N0438200307		PTFE Valve Seat O-Ring	4	N04-1200-55
25	Shaft Stud	2	N04-6150-08	39	Back-up Diaphragm	2	N04-1060-52
	Shaft Stud - PTFE	2	N04-6152-08				

