

# Drilling Wedges - Rods/Couplings

## Conventional Rods and Couplings Parts Lists

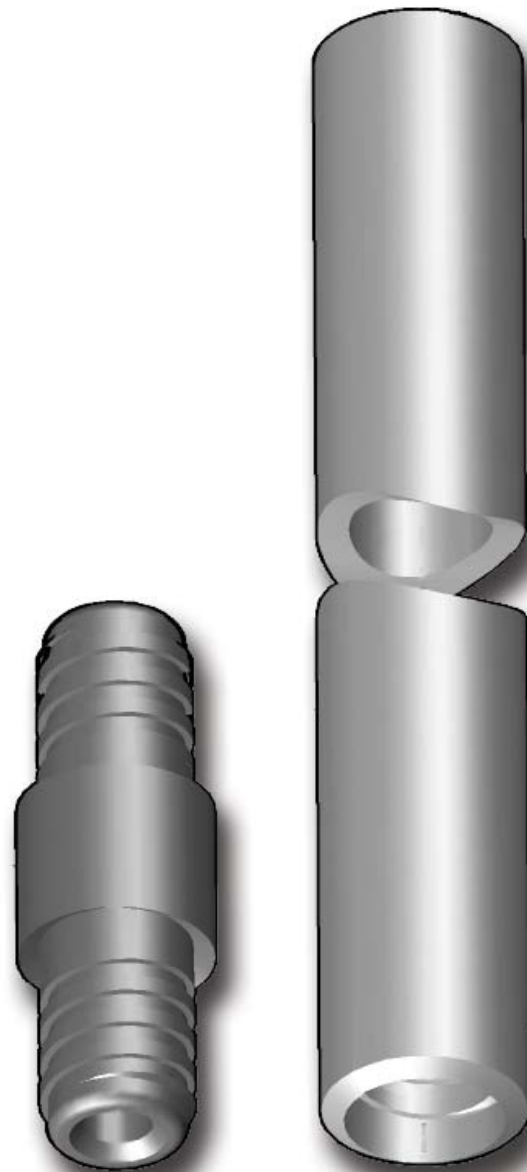
### Conventional Rods

Part Number	Description
91-10-102	ROD EW 2'
91-10-105	ROD EW 5'
91-10-110	ROD EW 10'
91-10-201	ROD AW 1'
91-10-202	ROD AW 2'
91-10-204	ROD AW 4'
91-10-205	ROD AW 5'
91-10-206	ROD AW 6'
91-10-210	ROD AW 10'
91-10-211	ROD AW 11'4"
91-10-212	ROD AW 12'
91-10-202X	ROD AX 2'
91-10-204X	ROD AX 4'
91-10-205X	ROD AX 5'
91-10-210X	ROD AX 10'
91-10-211X	ROD AX 11'4"
91-10-301	ROD BW 1'
91-10-302	ROD BW 2'
91-10-305	ROD BW 5'
91-10-310	ROD BW 10'
91-10-401	ROD NW 1'
91-10-402	ROD NW 2'
91-10-405	ROD NW 5'
91-10-410	ROD NW 10'

### Rod Couplings

Part Number	Description
91-10-119	EW ROD CPLG
91-10-219	AW ROD CPLG
91-10-219LG	AW ROD CPLG LARGE BORE
91-10-219X	AX ROD CPLG LARGE BORE
91-10-319	BW ROD CPLG
91-10-319LG	BW ROD CPLG LARGE BORE
91-10-419	NW ROD CPLG
91-10-419LG	NW ROD CPLG LARGE BORE

## Conventional Rods and Couplings Pictures



### Rod Description

Rods are available in various lengths (from 1' - 12') and thread profiles.

If you don't see the thread profile you are looking for, we have it, please contact us at **1-800-669-3542** or email [info@timeltd.ca](mailto:info@timeltd.ca).

