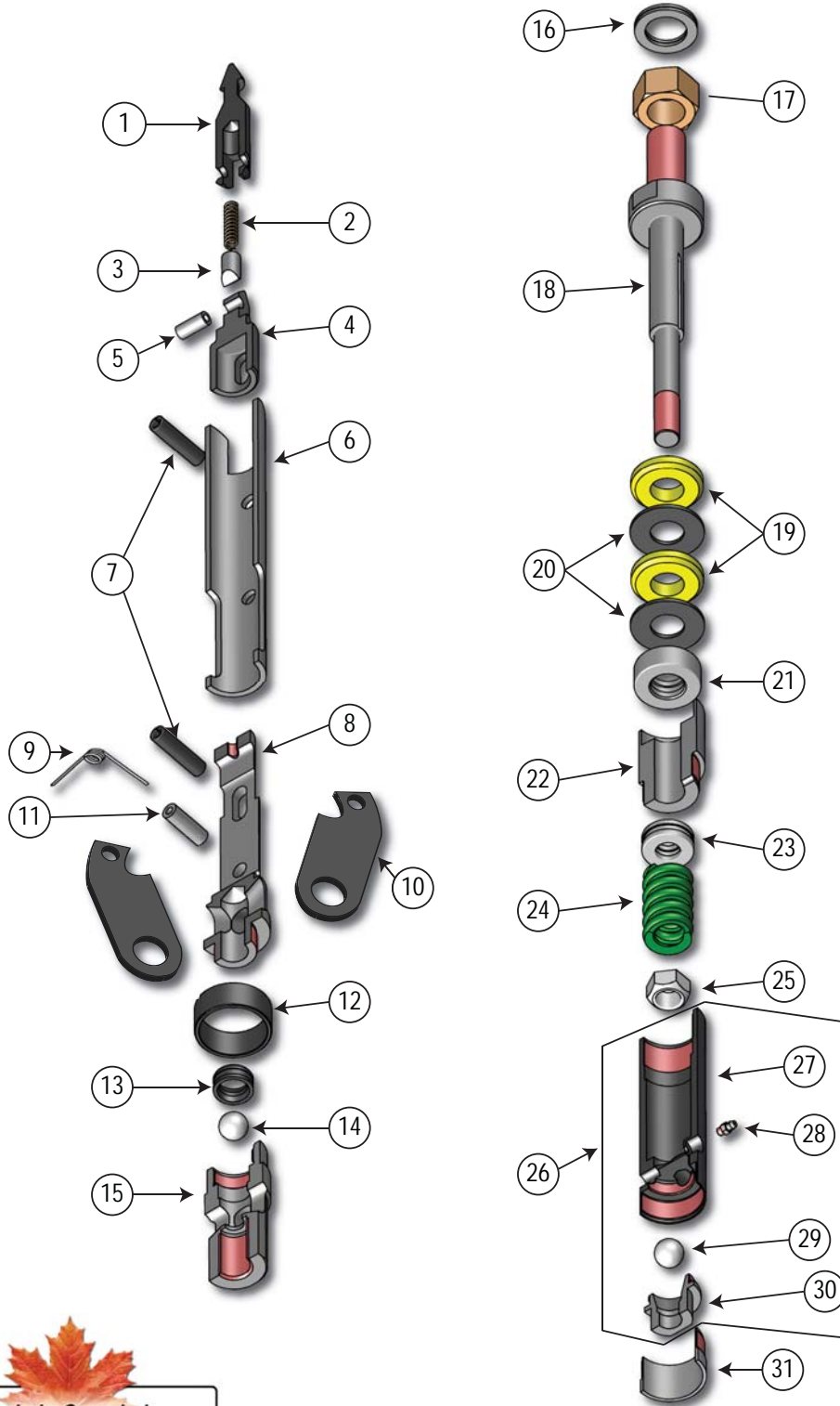


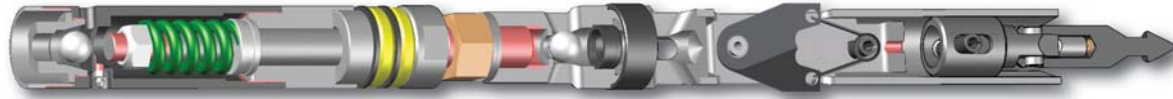
Drilling & Exploration - Core Barrels

Core Barrel - Spring Latch Head Assembly



Drilling & Exploration - Core Barrels

Core Barrel - Spring Latch Head Assembly



Item	Description	Part Numbers for Each Size			
		B	N	N2	H
	Assembly	90-20-302	90-20-402	90-27-402	90-21-502
1	Spearhead Point	90-22-301	90-22-301	90-22-301	90-22-301
2	Spring, Compression	90-22-302	90-22-302	90-22-302	90-22-302
3	Detent Plunger	90-22-303	90-22-303	90-22-303	90-22-303
4	Base, Spearhead	90-22-304	90-22-404	90-22-404	90-22-504
5	Pin, Spirol	90-22-305	90-22-305	90-22-305	90-22-305
6	Latch Retracting Case	90-22-306-SL	90-22-406-SL	90-22-406-SL	90-22-506-SL
7	Pin, Spring	476-072B	476-085	476-085	90-21-503
8	Latch Body, Upper	90-29-309-1	90-29-409-1	90-29-409-1	90-29-509-1
9	Latch Spring	90-21-304	90-21-404	90-21-404	90-21-404
10	Latch	90-21-305	90-21-405	90-21-405	90-21-505
11	Pin, Spirol, Latch Pivot	476-072A	90-21-406	90-21-406	476-085
12	Landing Shoulder	90-29-309-2	90-29-409-2	90-27-409	90-29-509-2
13	Bushing, Landing Indicator	90-29-380	90-29-380	90-29-380	90-29-380
14	Ball, Landing Indicator	90-21-421	90-21-421	90-21-421	90-21-421
15	Latch Body, Lower	90-29-309-3	90-29-409-3	90-29-409-3	90-29-509-3
16	Lockwasher	14WL-NL	18WL-NL	18WL-NL	20WL-NL
17	Jam Nut	14NHZG5	18NHZG5	18NHZG5	20NHZG5
18	Spindle	90-21-311	90-21-411	90-21-411	90-21-511
19	Shut Off Valve	90-21-312-U	90-21-412-U	90-21-412-U	90-21-512-U
20	Washer	90-21-313	90-21-413	90-21-413	90-21-513
21	Bearing, Spindle, Upper	90-21-314	90-21-414	90-21-414	90-21-514
22	Bushing, Spindle	90-21-315	90-21-415	90-21-415	90-21-515
23	Bearing, Spindle, Lower	90-21-314	90-21-424	90-21-424	90-21-514
24	Spring, Compression	90-21-316	90-21-416	90-21-416	90-21-516
25	Lock Nut	10NSZG5	12NSZG5	12NSZG5	16NSZG5
26	Assembly, Inner Tube Cap (includes 27-30)	90-21-319	90-21-419	90-27-419	90-21-519
27	Cap, Inner Tube Body	90-21-320	90-21-420	90-27-420	90-21-520
28	Grease Fitting	90-29-020	90-29-020	90-29-020	90-29-020
29	Ball	90-21-321	90-21-421	90-21-421	90-21-421
30	Check Valve Body	90-21-323	90-21-423	90-21-423	90-21-523
31	Protector, Inner Tube Cap	90-21-360	90-21-460	90-21-460	90-21-560

North America 1-800-669-3542
International +1-705-647-8138

PAGE: DE7



www.timeltd.ca