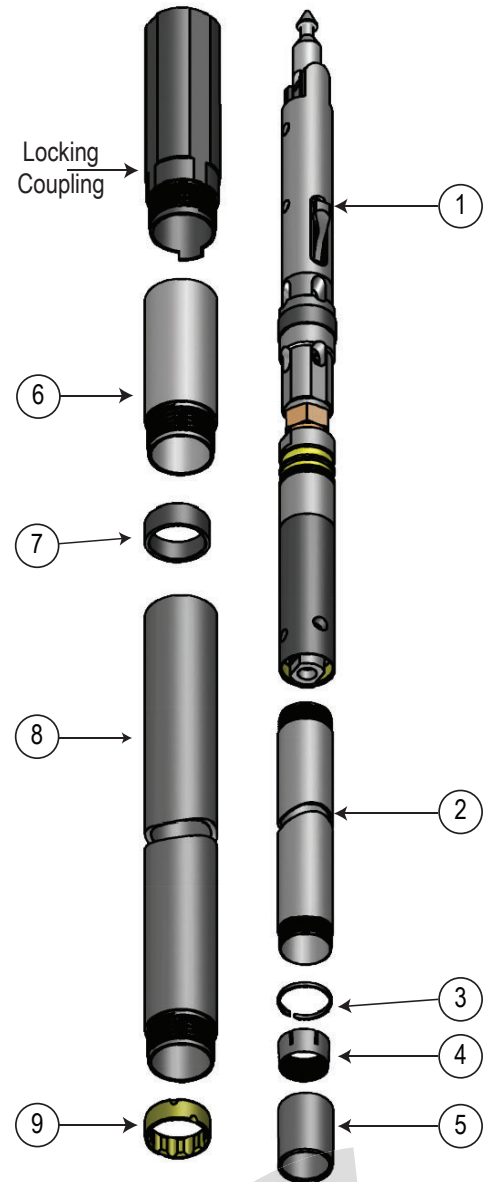


# CORE BARREL P

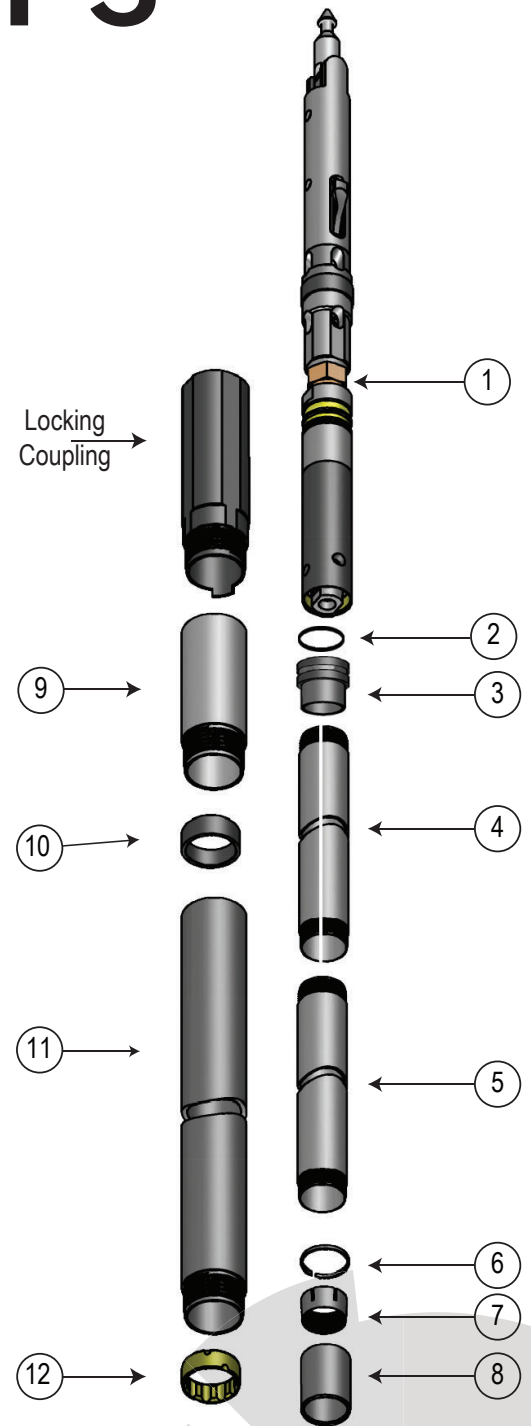
ITEM #	PART #	DESCRIPTION
1	90-20-602-LL	LL HEAD ASSEMBLY
2A	90-21-625	1.5 M / 5 FT INNER TUBE
2B	90-21-630	3.0 M / 10 FT INNER TUBE
2C	90-21-625CP	1.5 M / 5 FT INNER TUBE CHROME
2D	90-21-630CP	3.0 M / 10 FT INNER TUBE CHROME
3	90-21-632	STOP RING
4A	90-21-633	CORE LIFTER SLOTTED
4B	90-21-633B	CORE LIFTER FLUTED
4C	90-21-633BDC	CORE LIFTER FLUTED DIAMOND COATED
4D	90-21-633BKT	CORE LIFTER BASKET
4E	90-21-633S	CORE LIFTER SUPER SMOOTHY
5	90-21-631	CORE LIFTER CASE
6	90-21-635	ADAPTER COUPLING
7	90-21-636	LANDING RING
8A	90-21-645	OUTER TUBE 1.5M/5FT
8B	90-21-650	OUTER TUBE 3M/10FT
8C	90-21-645CP	OUTER TUBE 1.5M/5FT CHROME
8D	90-21-650CP	OUTER TUBE 3M/10FT CHROME
8E	90-21-694	OUTER TUBE 1.5M/5FT FULL HOLE
8F	90-21-695	OUTER TUBE 3M/10FT FULL HOLE
8G	90-21-694CP	OUTER TUBE 1.5M/5FT FULL HOLE CHROME
8H	90-21-695CP	OUTER TUBE 3M/10FT FULL HOLE CHROME
9	90-21-639	STABILIZER
8F	90-21-595	OUTER TUBE 3M/10FT FULL HOLE
8G	90-21-594CP	OUTER TUBE 1.5M/5FT FULL HOLE CHROME
8H	90-21-595CP	OUTER TUBE 3M/10FT FULL HOLE CHROME
9	90-21-539	STABILIZER

LOCKING COUPLINGS		
SIZE	PART #	DESCRIPTION
	90-21-634-2U	CONVENTIONAL HELICAL NO TANG
	90-21-634-2	CONVENTIONAL HELICAL W/ TANG
	90-21-634C2U	CARBIDE NO TANG
	90-21-634C2	CARBIDE W/ TANG



# CORE BARREL P3

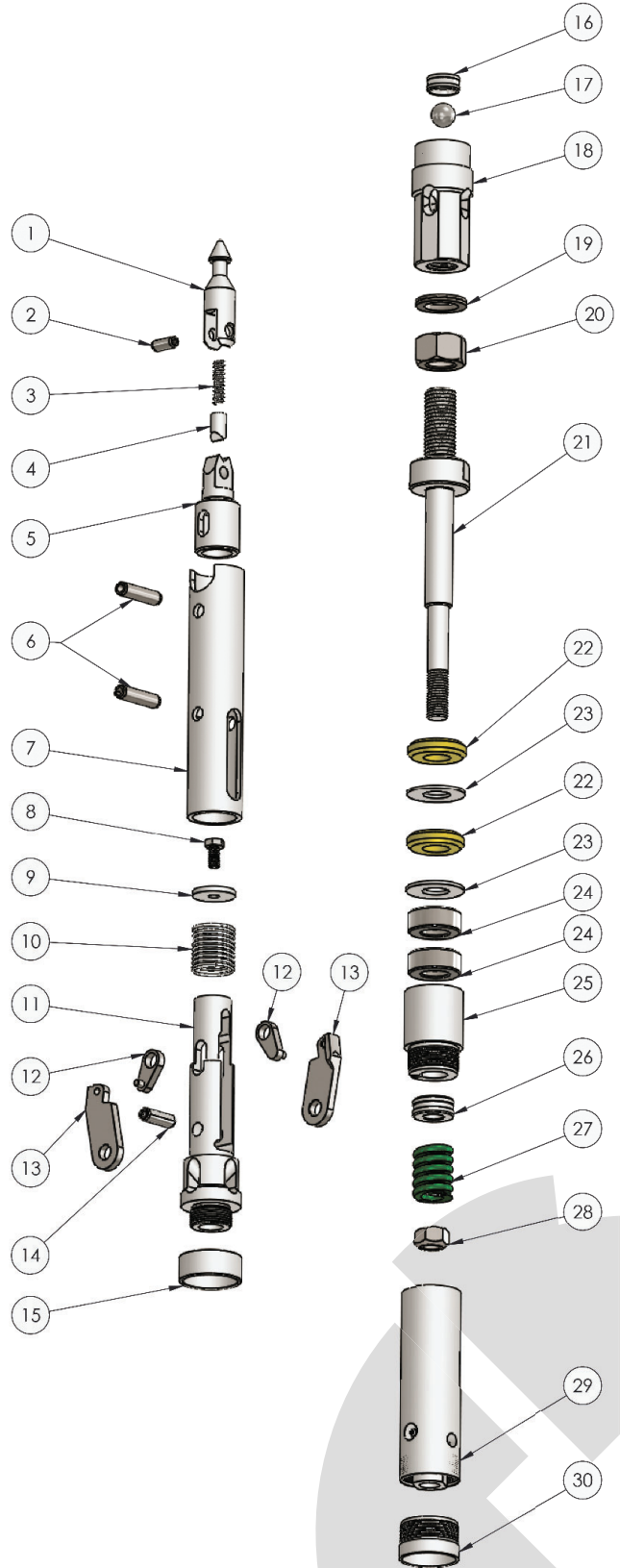
ITEM #	PART #	DESCRIPTION
1A	90-20-602-LL	LL HEAD ASSEMBLY
2	92-21-626	O-RING
3	92-21-627	PISTON
Not Shown	92-21-637	PUMP OUT ADAPTER
Not Shown	92-21-338	PISTON PLUG
4A	92-21-628	1.5 M / 5 FT SPLIT TUBE SET
4B	92-21-629	3 M / 10 FT SPLIT TUBE SET
5A	90-21-625	1.5 M / 5 FT INNER TUBE
5B	90-21-630	3.0 M / 10 FT INNER TUBE
5C	90-21-625CP	1.5 M / 5 FT INNER TUBE CHROME
5D	90-21-630CP	3.0 M / 10 FT INNER TUBE CHROME
6	92-21-632	STOP RING
7A	92-21-633	CORE LIFTER SLOTTED
7B	92-21-633B	CORE LIFTER FLUTED
7C	92-21-633BDC	CORE LIFTER FLUTED DIAMOND COATED
7D	92-21-633BKT	CORE LIFTER BASKET
7E	92-21-633S	CORE LIFTER SUPER SMOOTHY
8	92-21-631	CORE LIFTER CASE
9	90-21-635	ADAPTER COUPLING
10	90-21-636	LANDING RING
11A	90-21-645	OUTER TUBE 1.5M/5FT
11B	90-21-650	OUTER TUBE 3M/10FT
11C	90-21-645CP	OUTER TUBE 1.5M/5FT CHROME
11D	90-21-650CP	OUTER TUBE 3M/10FT CHROME
11E	90-21-694	OUTER TUBE 1.5M/5FT FULL HOLE
11F	90-21-695	OUTER TUBE 3M/10FT FULL HOLE
11G	90-21-694CP	OUTER TUBE 1.5M/5FT FULL HOLE CHROME
11H	90-21-695CP	OUTER TUBE 3M/10FT FULL HOLE CHROME
12	90-21-639	STABILIZER



LOCKING COUPLINGS		
SIZE	PART #	DESCRIPTION
	90-21-634-2U	CONVENTIONAL HELICAL NO TANG
	90-21-634-2	CONVENTIONAL HELICAL W/ TANG
	90-21-634C2U	CARBIDE NO TANG
	90-21-634C2	CARBIDE W/ TANG

# P W/L LL HEAD ASSEMBLY

ITEM #	PART #	DESCRIPTION	QTY
ASM	90-20-602-LL	P W/L HEAD ASSEMBLY LL	
1	90-22-301	SPEARHEAD POINT	1
2	90-22-305	COILED SPRING PIN 7/16" X 1"	1
3	90-22-302	COMPRESSION SPRING	1
4	90-22-303	DETENT PLUNGER	1
5	90-22-504	SPEARHEAD BASE	1
6	476-088	SPRING PIN 1/2 X 2-3/4	2
7	90-22-506	LATCH RETRACTING CASE	1
8	90-29-479	NYLON BOLT	1
9	90-29-509-4	WASHER, SPRING RETAINER	1
10	90-29-578	SPRING, LATCH COMPRESSION	1
11	90-21-509-1	UPPER LATCH BODY	1
12	306216	LINK	2
13	3543796	LATCH	2
14	239-317	COILED SPRING PIN	1
15	90-29-609-2	LANDING SHOULDER	1
16	90-21-421	STAINLESS STEEL BALL	1
17	90-29-380	BUSHING, LANDING INDICATOR	1
18	90-21-609-3	LOWER LATCH BODY	1
19	24WL-NL	NORD-LOCK WASHER	1
20	24NHZG5	LOCK NUT	1
21	90-21-611	SPINDLE	1
22	90-21-612U	SHUT OFF VALVE- HARD	2
23	90-21-613	VALVE ADJUSTING WASHER	2
24	90-21-514	THRUST BEARING	3
25	90-21-615	SPINDLE BUSHING	1
27	90-29-589	COMPRESSION SPRING	1
28	20NLZG5	SELF LOCKING NUT	1
29	90-21-619	INNER TUBE CAP ASSEMBLY	1
30	90-21-660	THREAD PROTECTOR	1
31	90-21-615W	WASHER, TAPERED	1
32	20WFZ	WASHER, FLAT	1



# P W/L LOCKABLE OVERSHOT

ITEM #	PART #	DESCRIPTION	QTY
ASM	90-32-601	PW/L LOCKABLE OVERSHOT	
1	90-31-555	HEAD BODY, HW-L	1
2	90-31-456	1/4" QUICK-RELEASE PIN	1
3	90-31-419-TL	LIFTING DOG	2
4	476-060	SPRING PIN, 1/4" X 2"	1
5	90-31-658	DOWEL PIN, PW-L LIFTING DOGS	1
6	90-31-416	COMPRESSION SPRING	1
7	90-31-460	BALL BEARING	2
8	90-31-316	COMPRESSION SPRING	1
9	08012SSNLK	NYLOK SET SCREW, 3/8 X 3/4"	1
10	3546745	LOCKING SLEEVE	1
11	90-31-415	LOCK SPRING	1
12	90-31-450	SPRING BUSHING	1
13	12WL-NL	NORD-LOCK WASHER 3/4"	1
14	12NHZG5	NUT HEX 3/4 Z GR5	1
15	90-31-411	LOCKING SLEEVE	1
16	90-32-421	JAR TUBE	1
17	90-32-412	JAR STAFF	1
18	90-32-407	BODY, CABLE SWIVEL	1
19	90-29-020	GREASE FITTING	1
20	90-31-205	1/2 CASTLE NUT	1
21	90-31-204	THRUST BEARING	1
22	90-31-202	COLLAR, CABLE SWIVEL	1
23	90-31-206	COTTER PIN	1
24	90-31-201	SWIVEL, CABLE EYE BOLT	1
25	90-31-620	SLEEVE PWL OVERSHOT	1

