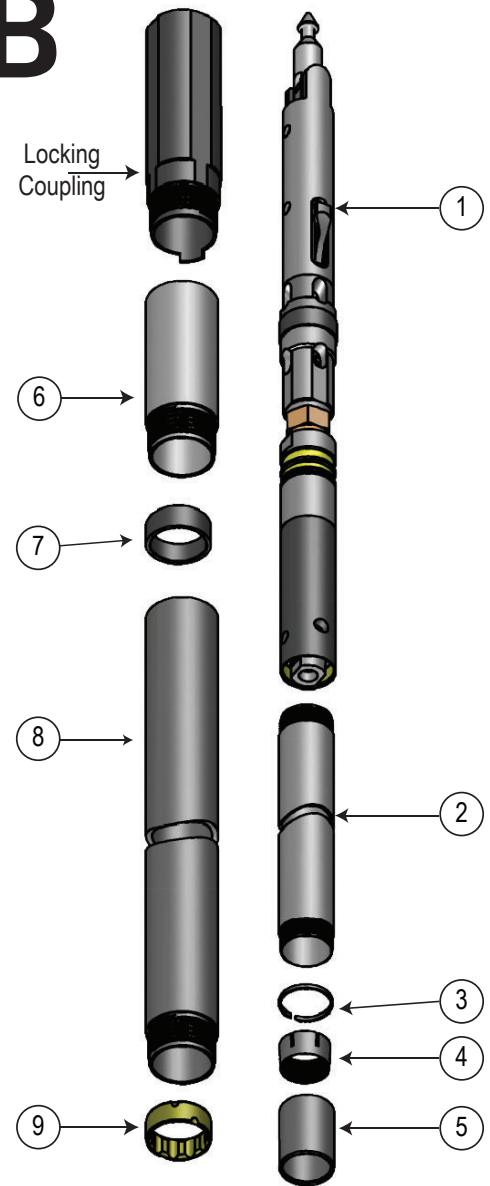


CORE BARREL B

| ITEM # | PART # | DESCRIPTION |
|-----------|--------------|--|
| 1A | 90-20-302-LL | LL HEAD ASSEMBLY |
| 1B | 90-20-301-LL | LL UNDERGROUND HEAD ASSEMBLY |
| 1C | 90-45-302 | B QUAD LATCH HEAD ASSEMBLY |
| 2A | 90-21-325 | 1.5 M / 5 FT INNER TUBE |
| 2B | 90-21-330 | 3.0 M / 10 FT INNER TUBE |
| 2C | 90-21-325CP | 1.5 M / 5 FT INNER TUBE CHROME |
| 2D | 90-21-330CP | 3.0 M / 10 FT INNER TUBE CHROME |
| 3 | 90-21-332 | STOP RING |
| 4A | 90-21-333 | CORE LIFTER SLOTTED |
| 4B | 90-21-333B | CORE LIFTER FLUTED |
| 4C | 90-21-333BDC | CORE LIFTER FLUTED DIAMOND COATED |
| 4D | 90-21-333BKT | CORE LIFTER BASKET |
| 4E | 90-21-333S2 | CORE LIFTER SUPER SMOOTHY |
| 5 | 90-21-331 | CORE LIFTER CASE |
| 6A | 90-21-335 | ADAPTER COUPLING |
| 6B | 90-21-335H | ADAPTER COUPLING - FULL HOLE |
| 6C | 90-21-335U | ADAPTER COUPLING UNDERGROUND |
| 6D | N/A | QUAD LATCH refer to 1pc locking coupling below |
| 7 | 90-21-336 | LANDING RING |
| 8A | 90-21-345 | OUTER TUBE 1.5M/5FT |
| 8B | 90-21-350 | OUTER TUBE 3M/10FT |
| 8C | 90-21-345CP | OUTER TUBE 1.5M/5FT CHROME |
| 8D | 90-21-350CP | OUTER TUBE 3M/10FT CHROME |
| 8E | 90-21-394 | OUTER TUBE 1.5M/5FT FULL HOLE |
| 8F | 90-21-395 | OUTER TUBE 3M/10FT FULL HOLE |
| 8G | 90-21-394CP | OUTER TUBE 1.5M/5FT FULL HOLE CHROME |
| 8H | 90-21-395CP | OUTER TUBE 3M/10FT FULL HOLE CHROME |
| 9 | 90-21-339 | STABILIZER |
| Not Shown | 90-21-391 | INNER TUBE COUPLING |
| Not Shown | 90-21-392 | INNER TUBE EXTENSION - 10" REAMING SHELL |
| Not Shown | 90-21-393 | INNER TUBE EXTENSION - 18" REAMING SHELL |



LOCKING COUPLINGS

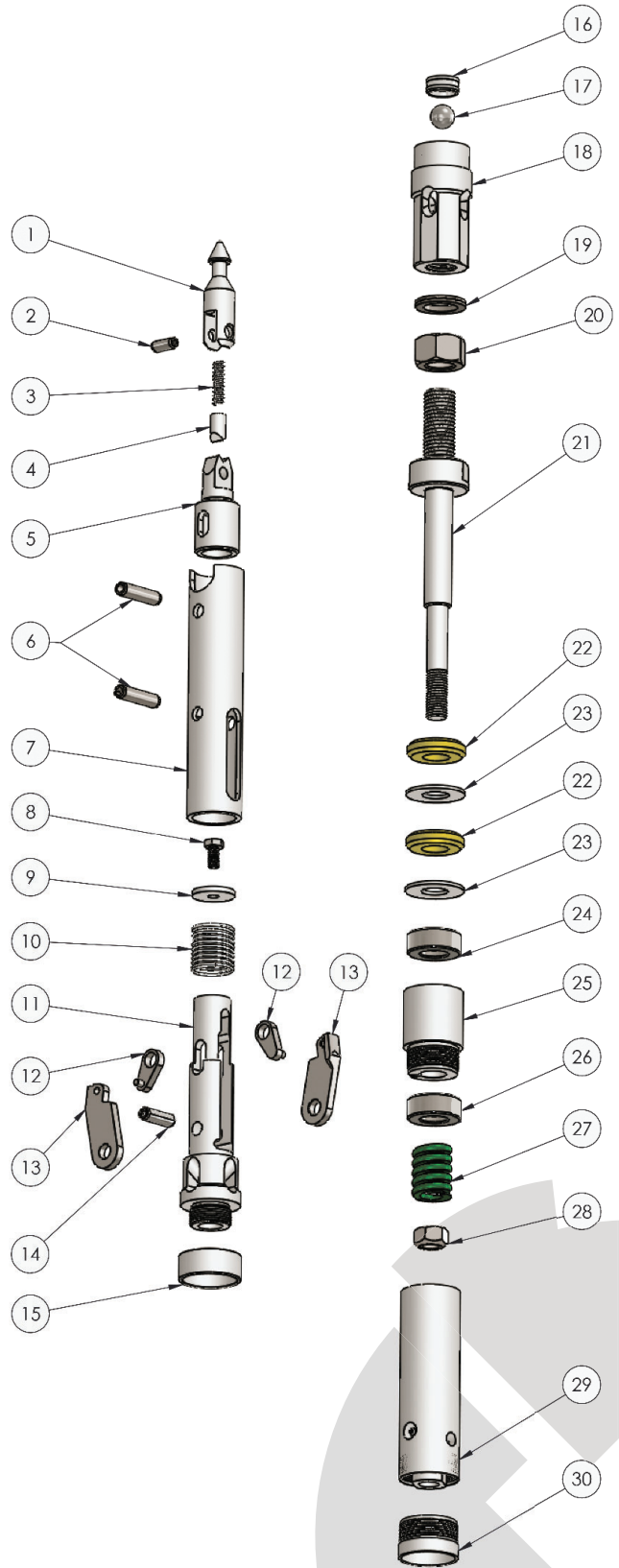
| SIZE | PART # | DESCRIPTION | SIZE | PART # | DESCRIPTION |
|-------|-------------|-------------------|-------|--------------|----------------------|
| BW/L | 92-45-335 | QUAD LATCH | BRW/L | 90-21-383H | FULL HOLE W/ TANG |
| BT | 92-45-373 | QUAD LATCH | BW/L | 90-21-334-2U | CONV HELICAL |
| BRW/L | 92-45-383 | QUAD LATCH | BT | 90-21-373-2U | CONV HELICAL |
| BW/L | 90-21-334BU | BLANK | BRW/L | 90-21-383-2U | CONV HELICAL |
| BT | 90-21-373BU | BLANK | BW/L | 90-21-334-2 | CONV HELICAL W/ TANG |
| BRW/L | 90-21-383BU | BLANK | BT | 90-21-373-2 | CONV HELICAL W/ TANG |
| BW/L | 90-21-334B | BLANK W/ TANG | BRW/L | 90-21-383-2 | CONV HELICAL W/ TANG |
| BT | 90-21-373B | BLANK W/ TANG | BW/L | 90-21-334CU | CARBIDE |
| BRW/L | 90-21-383B | BLANK W/ TANG | BT | 90-21-373CU | CARBIDE |
| BW/L | 90-21-334HU | FULL HOLE | BRW/L | 90-21-383CU | CARBIDE |
| BT | 90-21-373HU | FULL HOLE | BW/L | 90-21-334C | CARBIDE W/ TANG |
| BRW/L | 90-21-383HU | FULL HOLE | BT | 90-21-373C | CARBIDE W/ TANG |
| BW/L | 90-21-334H | FULL HOLE W/ TANG | BRW/L | 90-21-383C | CARBIDE W/ TANG |
| BT | 90-21-373H | FULL HOLE W/ TANG | | | |



800.669.3542 | info@timeltd.ca

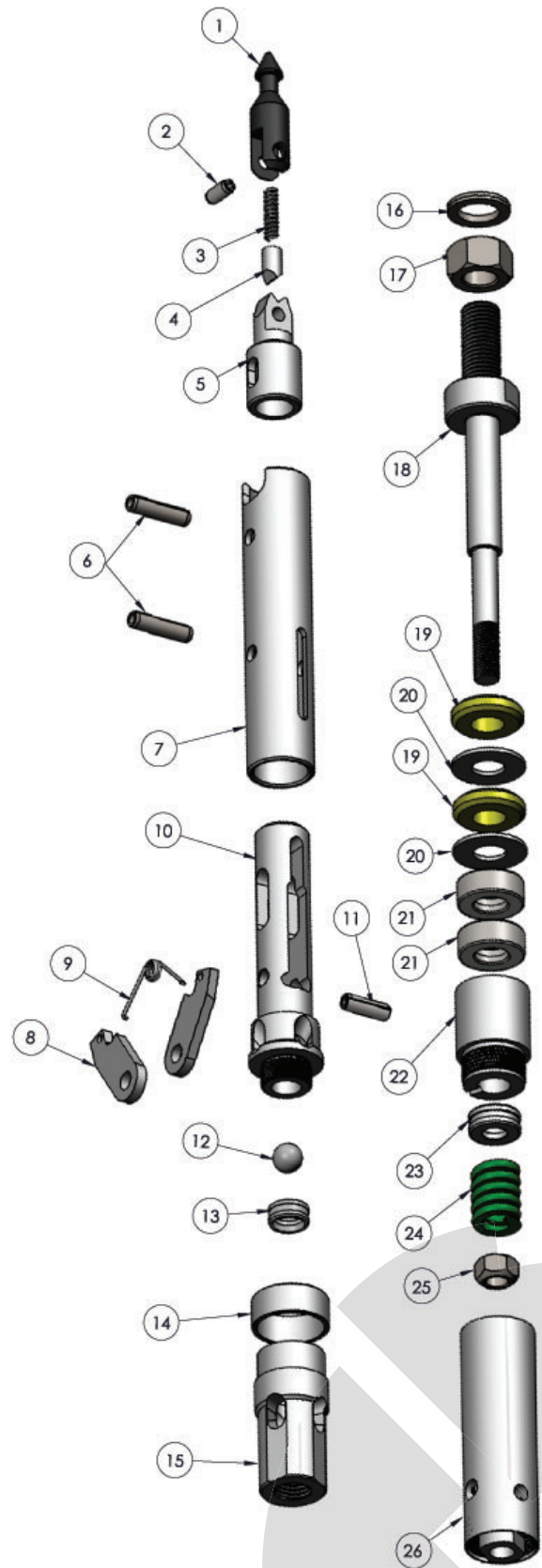
B W/L LL HEAD ASSEMBLY

| ITEM # | PART # | DESCRIPTION | QTY |
|--------|--------------|---------------------------------|-----|
| ASM | 90-20-302-LL | B W/L HEAD ASSEMBLY LL | |
| 1 | 90-22-301 | SPEARHEAD POINT | 1 |
| 2 | 90-22-305 | COILED SPRING PIN 7/16" X 1" | 1 |
| 3 | 90-22-302 | COMPRESSION SPRING | 1 |
| 4 | 90-22-303 | DETENT PLUNGER | 1 |
| 5 | 90-22-304 | SPEARHEAD BASE | 1 |
| 6 | 476-072B | SPRING PIN, Ø3/8" X 1-3/4" LONG | 2 |
| 7 | 90-22-306 | LATCH RETRACTING CASE | 1 |
| 8 | 90-29-479 | NYLON BOLT | 1 |
| 9 | 90-29-309-4 | WASHER, SPRING RETAINER | 1 |
| 10 | 90-29-378 | SPRING, LATCH COMPRESSION | 1 |
| 11 | 90-21-309-1 | UPPER LATCH BODY | 1 |
| 12 | 306418 | LINK | 2 |
| 13 | 306417 | LATCH | 2 |
| 14 | 239-424 | COILED SPRING PIN | 1 |
| 15 | 90-21-309-2 | LANDING SHOULDER | 1 |
| 16 | 90-29-380 | BUSHING, LANDING INDICATOR | 1 |
| 17 | 90-21-421 | STAINLESS STEEL BALL | 1 |
| 18 | 90-21-309-3 | LOWER LATCH BODY | 1 |
| 19 | 14WL-NL | NORD-LOCK WASHER | 1 |
| 20 | 14NHZG5 | LOCK NUT | 1 |
| 21 | 90-21-311 | SPINDLE | 1 |
| 22 | 90-21-312U | SHUT OFF VALVE- HARD | 2 |
| 23 | 90-21-313 | VALVE ADJUSTING WASHER | 2 |
| 24 | 90-21-314 | THRUST BEARING | 1 |
| 25 | 90-21-315 | SPINDLE BUSHING | 1 |
| 26 | 90-21-314 | THRUST BEARING | 1 |
| 27 | 90-21-316 | COMPRESSION SPRING | 1 |
| 28 | 10NSZG5 | SELF LOCKING NUT | 1 |
| 29 | 90-21-319 | INNER TUBE CAP ASSEMBLY | 1 |
| 30 | 90-21-360 | PROTECTOR, INNER TUBE CAP | 1 |



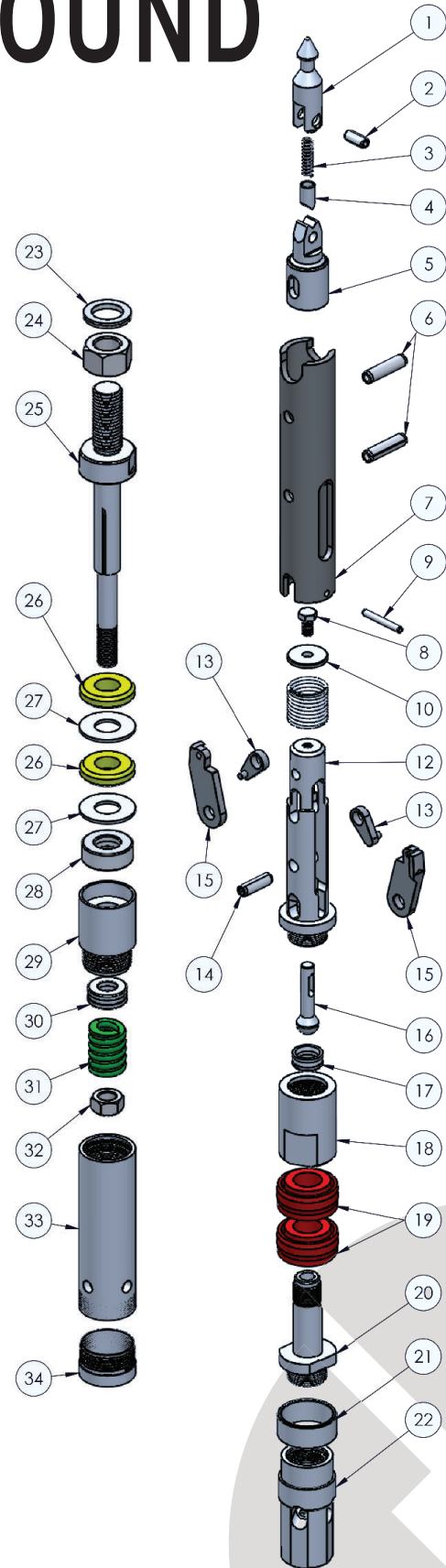
B W/L SL HEAD ASSEMBLY

| ITEM # | PART # | DESCRIPTION | QTY |
|--------|---------------|-----------------------------------|-----|
| ASM | 90-20-302 | BW/L SPRING LATCH HEAD ASM | |
| 1 | 90-22-301 | SPEARHEAD POINT, BNHP WL | 1 |
| 2 | 90-22-305 | COILED SPRING PIN | 1 |
| 3 | 90-22-302 | SPEARHEAD SPRING | 1 |
| 4 | 90-22-303 | DETENT, SPEARHEAD | 1 |
| 5 | 90-22-304 | BASE, SPEARHEAD, BWL | 1 |
| 6 | 476-072B | SPRING PIN, Ø3/8" X 1-3/4" LONG | 2 |
| 7 | 90-22-306-SL | RETRACTING CASE BW-L SPRING LATCH | 1 |
| 8 | 90-21-305 | LATCH, BW-L SPRING STYLE | 2 |
| 9 | 90-21-304 | SPRING, LATCH | 1 |
| 10 | 90-21-309-1SL | UPPER BODY BW-L SPRING LATCH | 1 |
| 11 | 239-424 | COILED SPRING PIN, 3/8" X 1-1/4" | 1 |
| 12 | 90-21-421 | BALL, LANDING INDICATOR | 1 |
| 13 | 90-29-380 | BUSHING, LANDING INDICATOR | 1 |
| 14 | 90-21-309-2 | LANDING SHOULDER BWL | 1 |
| 15 | 90-21-309-3 | LATCH BODY, LOWER BWL | 1 |
| 16 | 14WL-NL | NORD-LOCK WASHER 7/8" -M22 | 1 |
| 17 | 14NHZG5 | NUT HEX 7/8-9 Z GR5 | 1 |
| 18 | 90-21-311 | SPINDLE BWL | 1 |
| 19 | 90-21-312U | SHUT-OFF VALVE | 2 |
| 20 | 90-21-313 | VALVE ADJ. SPACER NW-L | 2 |
| 21 | 90-21-314 | SPINDLE BEARING UPPER | 2 |
| 22 | 90-21-315 | BUSHING, SPINDLE, NWL | 1 |
| 23 | 90-21-316 | COMPRESSION SPRING | 1 |
| 24 | 10NSZG5 | NUT STOVER HEX 5/8-11 Z G5 | 1 |
| 25 | 90-21-319 | INNER TUBE CAP ASSY | 1 |



B W/L UNDERGROUND HEAD ASSEMBLY

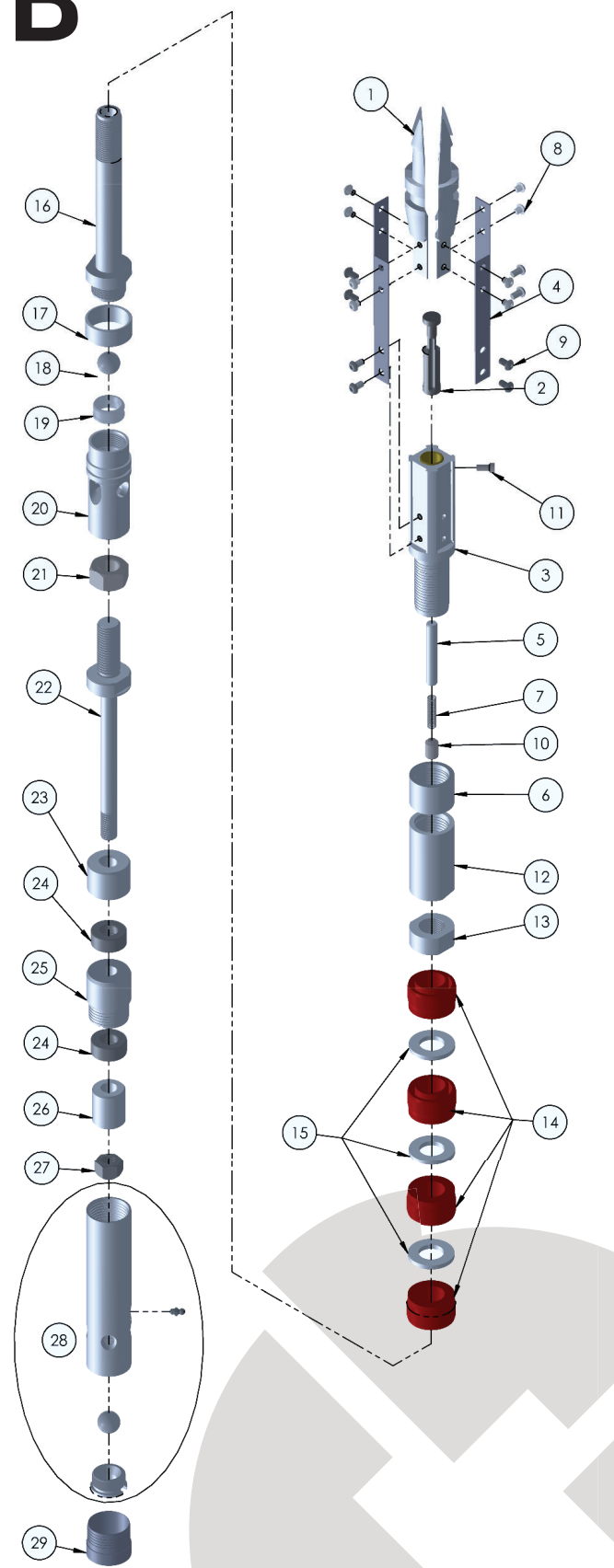
| ITEM # | PART # | DESCRIPTION | QTY |
|--------|--------------|----------------------------------|-----|
| ASM | 90-20-301-LL | BW/L-U HEAD ASSEMBLY | |
| 1 | 90-22-301 | SPEARHEAD POINT, BNHP WL | 1 |
| 2 | 90-22-305 | COILED SPRING PIN | 1 |
| 3 | 90-22-302 | SPEARHEAD SPRING | 1 |
| 4 | 90-22-303 | DETENT, SPEARHEAD | 1 |
| 5 | 90-22-304 | BASE, SPEARHEAD, BWL | 1 |
| 6 | 476-072B | SPRING PIN, Ø3/8" X 1-3/4" LONG | 2 |
| 7 | 90-29-306 | LATCH RETRACTING CASE BWLU | 1 |
| 8 | 90-29-479 | NYLON BOLT | 1 |
| 9 | 476-059 | SPRING PIN, Ø1/4" X 1-3/4" LONG | 1 |
| 10 | 90-29-309-4 | WASHER, SPRING RETAINER | 1 |
| 11 | 3541836 | SPRING, COMPRESSION BW-LU | 1 |
| 12 | 90-29-309-1 | LATCH BODY, UPPER BWLU | 2 |
| 13 | 306418 | LINK BW-L | 2 |
| 14 | 239-424 | COILED SPRING PIN, 3/8" X 1-1/4" | 1 |
| 15 | 306417 | LATCH BW-L | 1 |
| 16 | 3547672 | VALVE, PISTON BNW-L | 1 |
| 17 | 90-29-380 | BUSHING, LANDING INDICATOR | 1 |
| 18 | 90-29-377 | ADAPTER, LATCH BODY BWLU | 1 |
| 19 | 90-29-353 | SEAL, BWL PUMP-IN | 1 |
| 20 | 90-21-378 | SEAT, LATCH BODY SEAL | 1 |
| 21 | 90-21-309-2 | LANDING SHOULDER BWL | 1 |
| 22 | 90-21-309-3 | LATCH BODY, LOWER BWL | 2 |
| 23 | 14WL-NL | NORD-LOCK WASHER 7/8" | 2 |
| 24 | 14NHZG5 | NUT HEX 7/8 Z GR5 | 1 |
| 25 | 90-21-311 | SPINDLE BWL | 1 |
| 26 | 90-21-312U | SHUT-OFF VALVE | 1 |
| 27 | 90-21-313 | WASHER | 1 |
| 28 | 90-21-314 | SPINDLE BEARING UPPER | 1 |
| 29 | 90-21-315 | BUSHING, SPINDLE BWL | 1 |
| 30 | 90-21-314 | SPINDLE BEARING LOWER | 1 |
| 31 | 90-21-316 | COMPRESSION SPRING | 1 |
| 32 | 10NSZG5 | NUT STOVER HEX 5/8 Z G5 | 1 |
| 33 | 90-21-319 | INNER TUBE CAP ASSY | 1 |
| 34 | 90-21-360 | PROTECTOR, INNER TUBE CAP | 1 |



QUAD LATCH B

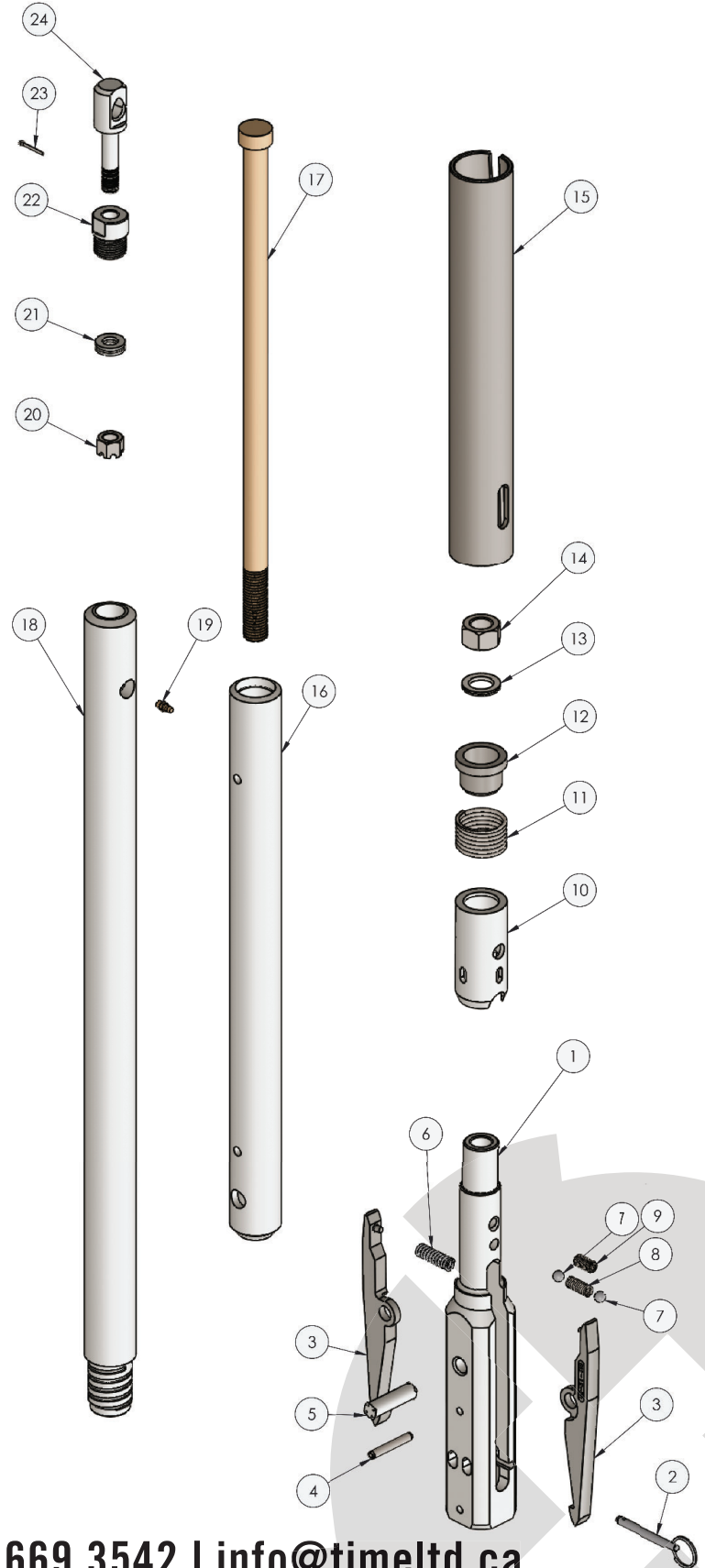
HEAD ASSEMBLY

| ITEM # | PART # | DESCRIPTION |
|--------|-------------|------------------------------|
| | 92-45-302 | QUAD LATCH HEAD ASSEMBLY B |
| 1 | 92-44-301 | QUAD LATCH FINGER |
| 2 | 92-44-302 | PISTON |
| 3 | 92-44-303 | HEAD BASE |
| 4 | 92-44-305 | LEAF SPRING |
| 5 | 92-44-306 | PUSH ROD |
| 6 | 92-44-307 | LOCK NUT, ADAPTER |
| 7 | 92-44-318 | COMPRESSION SPRING |
| 8 | 92-44-326 | CAP SCREW - FINGER TO SPRING |
| 9 | 92-44-326B | CAP SCREW - SPRING TO BODY |
| 10 | 92-44-327 | SET SCREW |
| 11 | 92-44-504 | STOP SCREW |
| 12 | 92-45-308 | ADAPTER, BASE SHAFT |
| 13 | 92-45-309 | LOCK NUT, SHAFT |
| 14 | 90-29-353 | SEAL, PUMP-IN |
| 15 | 92-45-311 | THRUST WASHER |
| 16 | 92-45-313 | PUMP-IN SHAFT |
| 17 | 90-21-309-2 | LANDING SHOULDER |
| 18 | 90-21-421 | BALL, WATER RETENTION |
| 19 | 90-29-380 | BUSHING |
| 20 | 90-21-309-3 | LATCH BODY, LOWER |
| 21 | 14NHZG5 | JAM NUT |
| 22 | 90-21-311 | SPINDLE |
| 23 | 92-45-314 | SPACER, VALVE REPLACEMENT |
| 24 | 90-21-314 | BEARING |
| 25 | 90-21-315 | BUSHING, SPINDLE |
| 26 | 92-45-318 | SPACER, SPRING REPLACEMENT |
| 27 | 10NSZG5 | LOCK NUT |
| 28 | 90-21-319 | ASSEMBLY, INNER CAP |
| 29 | 90-21-360 | PROTECTOR, INNER TUBE CAP |



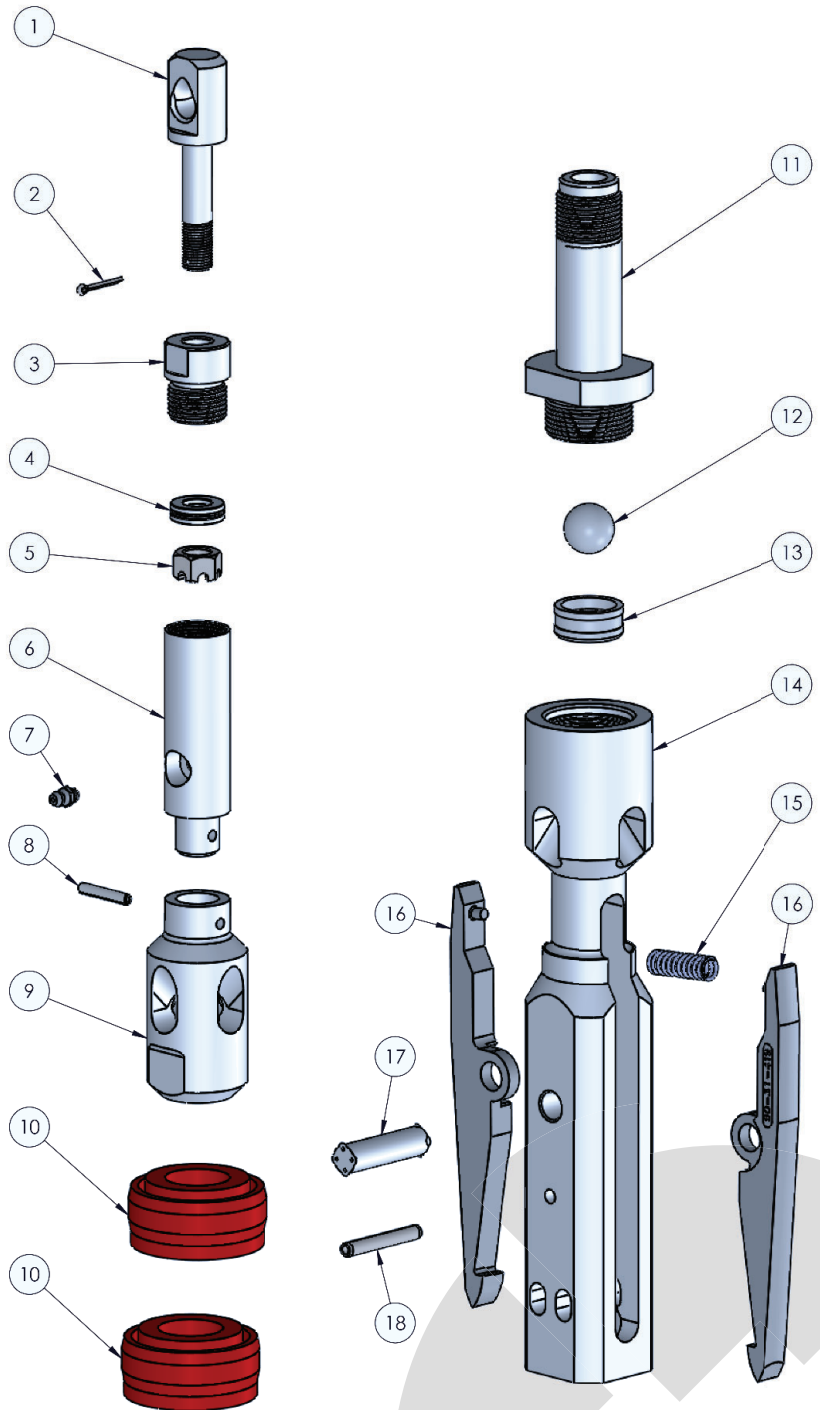
B W/L LOCKABLE OVERSHOT

| ITEM # | PART # | DESCRIPTION | QTY |
|--------|------------|-----------------------------|-----|
| ASM | 90-32-301 | BW/L LOCKABLE OVERSHOT | |
| 1 | 90-31-355 | HEAD BODY, BW-L | 1 |
| 2 | 90-31-456 | 1/4" QUICK-RELEASE PIN | 1 |
| 3 | 90-31-319 | LIFTING DOG, BW-L | 2 |
| 4 | 476-044 | SPRING PIN, 3/16" X 1 3/8" | 1 |
| 5 | 90-31-358 | PRESS PIN 1/2" | 1 |
| 6 | 90-31-316 | COMPRESSION SPRING | 1 |
| 7 | 90-31-460 | BALL BEARING | 2 |
| 8 | 90-31-317 | COMPRESSION SPRING | 1 |
| 9 | 08012SSNLK | NYLOK SET SCREW, 3/8 X 3/4" | 1 |
| 10 | 3546883 | LOCKING SLEEVE, BW-L | 1 |
| 11 | 90-31-315 | LOCK SPRING, BW-L | 1 |
| 12 | 90-31-350 | SPRING BUSHING, BW-L | 1 |
| 13 | 09WL-NL | NORD-LOCK WASHER 9/16" | 1 |
| 14 | 09NHZG5 | NUT HEX 9/16 Z GR5 | 1 |
| 15 | 90-31-311 | LOCKING SLEEVE | 1 |
| 16 | 90-32-321 | JAR TUBE | 1 |
| 17 | 90-32-312 | JAR STAFF | 1 |
| 18 | 90-32-307 | BODY, CABLE SWIVEL BW-L | 1 |
| 19 | 90-29-020 | GREASE FITTING | 1 |
| 20 | 90-31-205 | 1/2 NUT | 1 |
| 21 | 90-31-204 | THRUST BEARING | 1 |
| 22 | 90-31-202 | COLLAR, CABLE SWIVEL | 1 |
| 23 | 90-31-206 | COTTER PIN | 1 |
| 24 | 90-31-201 | SWIVEL, CABLE EYE BOLT | 1 |



B W/L UNDERGROUND OVERSHOT ASSEMBLY

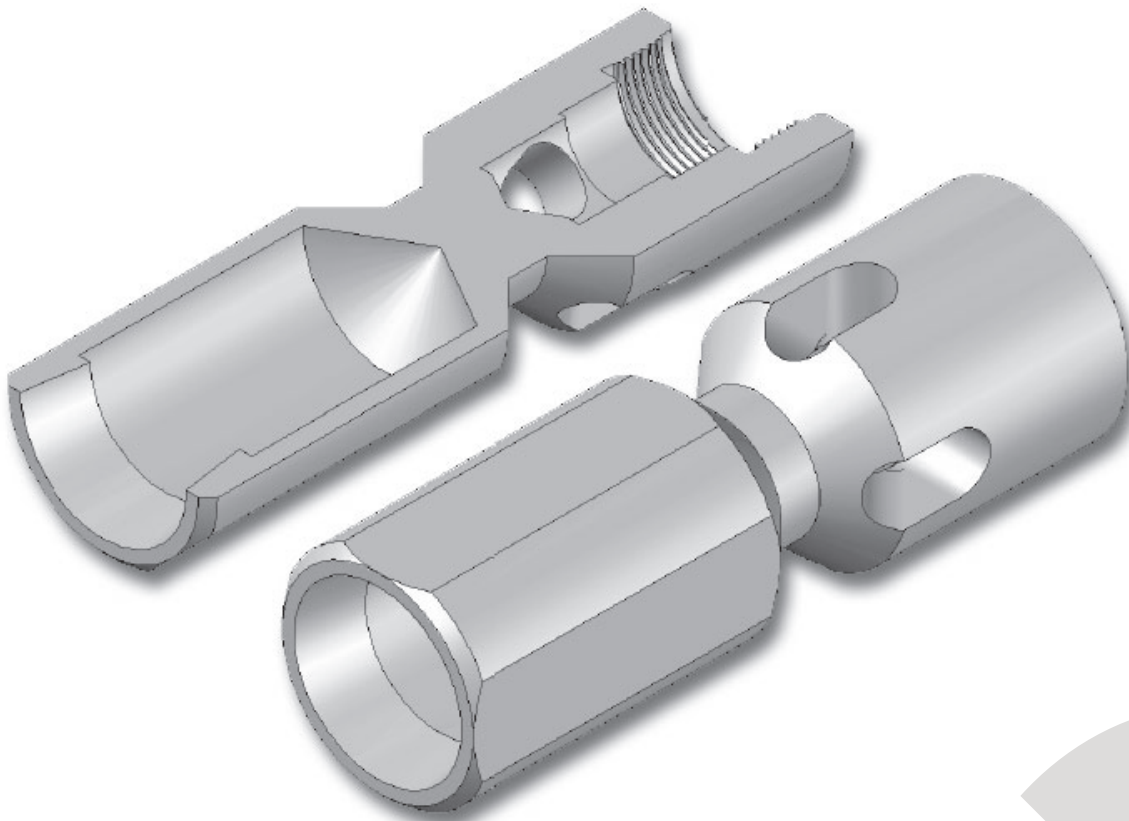
| ITEM # | PART # | DESCRIPTION | QTY |
|--------|------------|----------------------------|-----|
| ASM | 90-32-302 | BW/L-U OVERSHOT | |
| 1 | 90-31-201 | SWIVEL CABLE EYE BOLT | 1 |
| 2 | 90-31-206 | PIN, COTTER | 1 |
| 3 | 90-31-202 | COLLAR, CABLE SWIVEL | 2 |
| 4 | 90-31-204 | THRUST BEARING | 1 |
| 5 | 90-31-205 | NUT, CASTLE HEX | 1 |
| 6 | 90-31-307 | BODY, CABLE SWIVEL | 1 |
| 7 | 90-29-020 | GREASE FITTING | 2 |
| 8 | 239-349 | PIN, COILED, SHEAR | 1 |
| 9 | 90-31-312 | BODY, OVERSHOT UPPER | 1 |
| 10 | 90-29-353 | SEAL, PUMP IN | 1 |
| 11 | 90-21-378 | SEAT, PUMP-IN SEAL | 1 |
| 12 | 90-21-421 | BALL | 1 |
| 13 | 90-29-380 | BUSHING, LANDING INDICATOR | 1 |
| 14 | 90-31-355U | HEAD, OVERSHOT | 1 |
| 15 | 90-31-316 | SPRING | 1 |
| 16 | 90-31-319 | LIFTING DOG | 1 |
| 17 | 90-31-358 | PIN, PIVOT | 1 |
| 18 | 476-044 | PIN, ANTI-SWAY | 1 |



QUAD LATCH OVERSHOT HEAD

The Quad Latch Overshot Head is designed to be compatible with other existing overshot designs. Simply remove the existing overshot head, and install the Quad Latch Overshot Head. No additional parts required.

| PART # | DESCRIPTION |
|-----------|----------------------------|
| 92-46-301 | Quad Latch Overshot Head B |



800.669.3542 | info@timeltd.ca