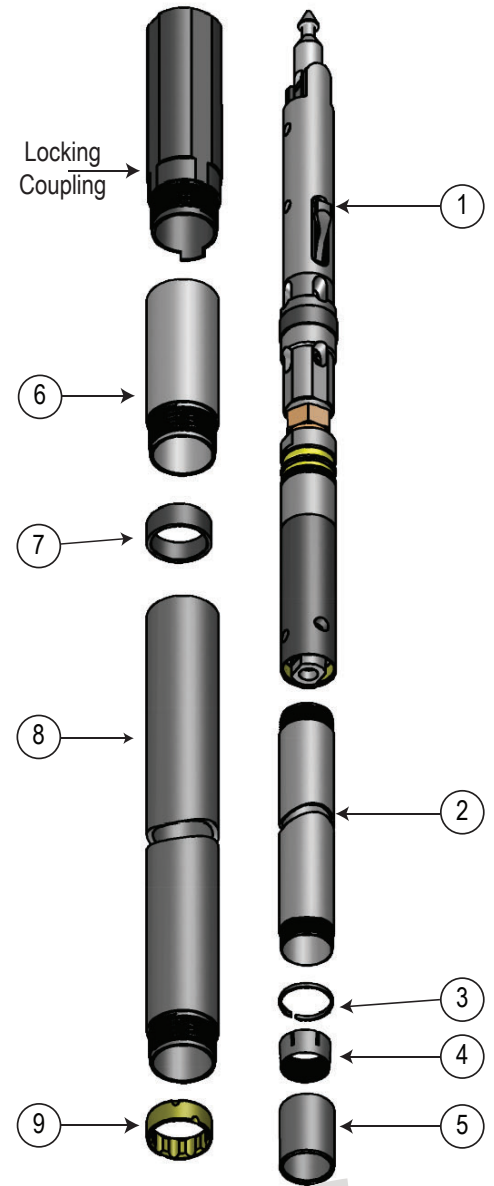


CORE BARREL H

ITEM #	PART #	DESCRIPTION
1A	90-20-502-LL	LL HEAD ASSEMBLY
1B	90-20-502-TL	TL HEAD ASSEMBLY
1C	90-20-501-LL	LL UNDERGROUND HEAD ASSEMBLY
1D	90-45-502	H QUAD LATCH HEAD ASSEMBLY
2A	90-21-525	1.5 M / 5 FT INNER TUBE
2B	90-21-530	3.0 M / 10 FT INNER TUBE
2C	90-21-525CP	1.5 M / 5 FT INNER TUBE CHROME
2D	90-21-530CP	3.0 M / 10 FT INNER TUBE CHROME
3	90-21-532	STOP RING
4A	90-21-533	CORE LIFTER SLOTTED
4B	90-21-533B	CORE LIFTER FLUTED
4C	90-21-533BDC	CORE LIFTER FLUTED DIAMOND COATED
4D	90-21-533BKT	CORE LIFTER BASKET
4E	90-21-533S2	CORE LIFTER SUPER SMOOTHY
5	90-21-531	CORE LIFTER CASE
6A	90-21-535	ADAPTER COUPLING
6B	90-21-535H	ADAPTER COUPLING - FULL HOLE
6C	90-21-535U	ADAPTER COUPLING UNDERGROUND
6D	92-44-516	ADAPTER COUPLING QUAD LATCH STABILIZED
7	90-21-536	LANDING RING
8A	90-21-545	OUTER TUBE 1.5M/5FT
8B	90-21-550	OUTER TUBE 3M/10FT
8C	90-21-545CP	OUTER TUBE 1.5M/5FT CHROME
8D	90-21-550CP	OUTER TUBE 3M/10FT CHROME
8E	90-21-594	OUTER TUBE 1.5M/5FT FULL HOLE
8F	90-21-595	OUTER TUBE 3M/10FT FULL HOLE
8G	90-21-594CP	OUTER TUBE 1.5M/5FT FULL HOLE CHROME
8H	90-21-595CP	OUTER TUBE 3M/10FT FULL HOLE CHROME
9	90-21-539	STABILIZER
Not Shown	90-21-591	INNER TUBE COUPLING
Not Shown	90-21-592	INNER TUBE EXTENSION - 10" REAMING SHELL
Not Shown	90-21-593	INNER TUBE EXTENSION - 18" REAMING SHELL



LOCKING COUPLINGS

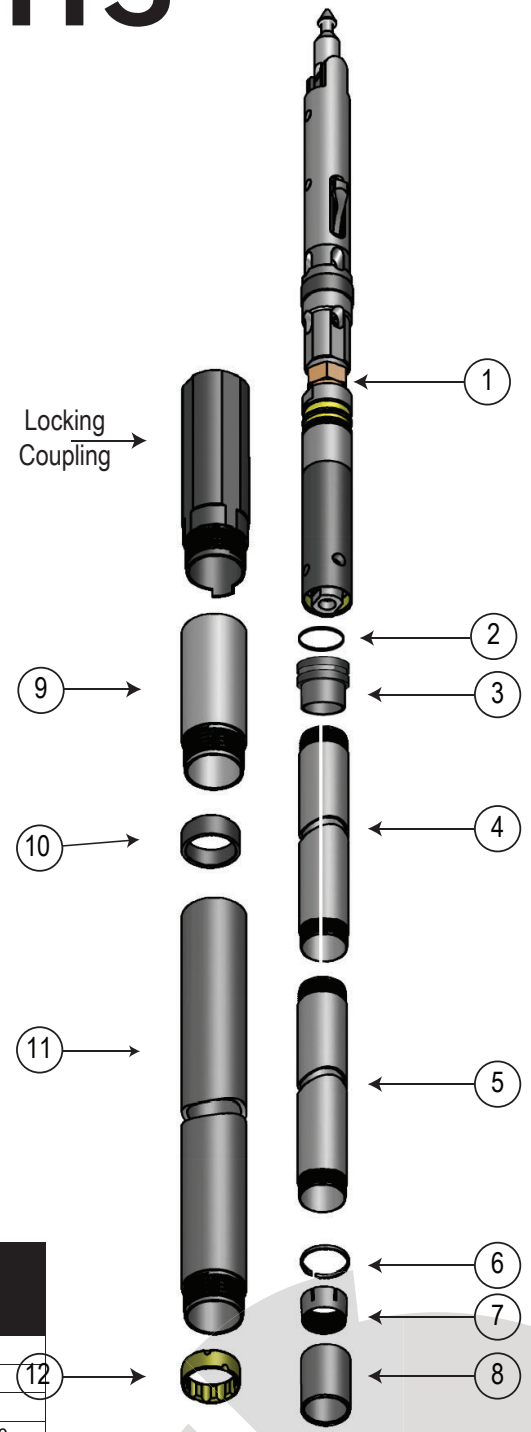
SIZE	PART #	DESCRIPTION	SIZE	PART #	DESCRIPTION
HW/L	92-45-535	QUAD LATCH	HRW/L	90-21-583H	FULL HOLE W/ TANG
HT	92-45-573	QUAD LATCH	HW/L	90-21-534-2U	CONV HELICAL
HRW/L	92-45-583	QUAD LATCH	HT	90-21-573-2U	CONV HELICAL
HW/L	90-21-534BU	BLANK	HRW/L	90-21-583-2U	CONV HELICAL
HT	90-21-573BU	BLANK	HW/L	90-21-534-2	CONV HELICAL W/ TANG
HRW/L	90-21-583BU	BLANK	HT	90-21-573-2	CONV HELICAL W/ TANG
HW/L	90-21-534B	BLANK W/ TANG	HRW/L	90-21-583-2	CONV HELICAL W/ TANG
HT	90-21-573B	BLANK W/ TANG	HW/L	90-21-534CU	CARBIDE
HRW/L	90-21-583B	BLANK W/ TANG	HT	90-21-573CU	CARBIDE
HW/L	90-21-534HU	FULL HOLE	HRW/L	90-21-583CU	CARBIDE
HT	90-21-573HU	FULL HOLE	HW/L	90-21-534C	CARBIDE W/ TANG
HRW/L	90-21-583HU	FULL HOLE	HT	90-21-573C	CARBIDE W/ TANG
HW/L	90-21-534H	FULL HOLE W/ TANG	HRW/L	90-21-583C	CARBIDE W/ TANG
HT	90-21-573H	FULL HOLE W/ TANG			



800.669.3542 | info@timeltd.ca

CORE BARREL H3

ITEM #	PART #	DESCRIPTION
1A	90-20-502-LL	LL HEAD ASSEMBLY
1B	90-20-502-TL	TL HEAD ASSEMBLY
1C	90-20-501-LL	LL UNDERGROUND HEAD ASSEMBLY
2	92-21-526	O-RING
3	92-21-527	PISTON
Not Shown	92-21-537	PUMP OUT ADAPTER
Not Shown	92-21-338	PISTON PLUG
4A	92-21-528	1.5 M / 5 FT SPLIT TUBE SET
4B	92-21-529	3 M / 10 FT SPLIT TUBE SET
5A	90-21-525	1.5 M / 5 FT INNER TUBE
5B	90-21-530	3.0 M / 10 FT INNER TUBE
5C	90-21-525CP	1.5 M / 5 FT INNER TUBE CHROME
5D	90-21-530CP	3.0 M / 10 FT INNER TUBE CHROME
6	92-21-532	STOP RING
7A	92-21-533	CORE LIFTER SLOTTED
7B	92-21-533B	CORE LIFTER FLUTED
7C	92-21-533BDC	CORE LIFTER FLUTED DIAMOND COATED
7D	92-21-533BKT	CORE LIFTER BASKET
7E	92-21-533S2	CORE LIFTER SUPER SMOOTHY
8	92-21-531	CORE LIFTER CASE
9A	90-21-535	ADAPTER COUPLING
9B	90-21-535H	ADAPTER COUPLING - FULL HOLE
9C	90-21-535U	ADAPTER COUPLING UNDERGROUND
10	90-21-536	LANDING RING
11A	90-21-545	OUTER TUBE 1.5M/5FT
11B	90-21-550	OUTER TUBE 3M/10FT
11C	90-21-545CP	OUTER TUBE 1.5M/5FT CHROME
11D	90-21-550CP	OUTER TUBE 3M/10FT CHROME
11E	90-21-594	OUTER TUBE 1.5M/5FT FULL HOLE
11F	90-21-595	OUTER TUBE 3M/10FT FULL HOLE
11G	90-21-594CP	OUTER TUBE 1.5M/5FT FULL HOLE CHROME
11H	90-21-595CP	OUTER TUBE 3M/10FT FULL HOLE CHROME
12	90-21-539	STABILIZER
Not Shown	90-21-591	INNER TUBE COUPLING
Not Shown	90-21-592	INNER TUBE EXTENSION - 10" REAMING SHELL
Not Shown	90-21-593	INNER TUBE EXTENSION - 18" REAMING SHELL



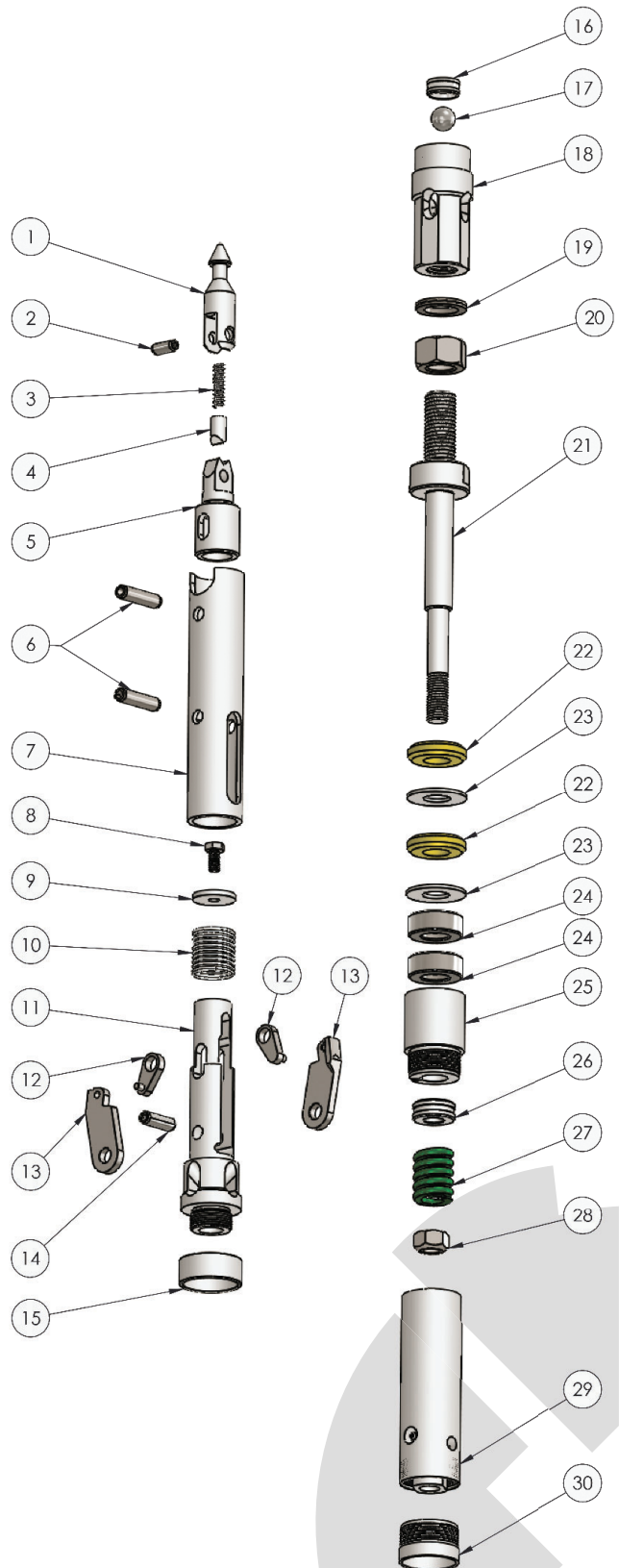
LOCKING COUPLINGS					
SIZE	PART #	DESCRIPTION	SIZE	PART #	DESCRIPTION
HW/L	90-21-534BU	BLANK	HW/L	90-21-534-2U	CONV HELICAL
HT	90-21-573BU	BLANK	HT	90-21-573-2U	CONV HELICAL
HRW/L	90-21-583BU	BLANK	HRW/L	90-21-583-2U	CONV HELICAL
HW/L	90-21-534B	BLANK W/ TANG	HW/L	90-21-534-2	CONV HELICAL W/ TANG
HT	90-21-573B	BLANK W/ TANG	HT	90-21-573-2	CONV HELICAL W/ TANG
HRW/L	90-21-583B	BLANK W/ TANG	HRW/L	90-21-583-2	CONV HELICAL W/ TANG
HW/L	90-21-534HU	FULL HOLE	HW/L	90-21-534CU	CARBIDE
HT	90-21-573HU	FULL HOLE	HT	90-21-573CU	CARBIDE
HRW/L	90-21-583HU	FULL HOLE	HRW/L	90-21-583CU	CARBIDE
HW/L	90-21-534H	FULL HOLE W/ TANG	HW/L	90-21-534C	CARBIDE W/ TANG
HT	90-21-573H	FULL HOLE W/ TANG	HT	90-21-573C	CARBIDE W/ TANG
HRW/L	90-21-583H	FULL HOLE W/ TANG	HRW/L	90-21-583C	CARBIDE W/ TANG



800.669.3542 | info@timeltd.ca

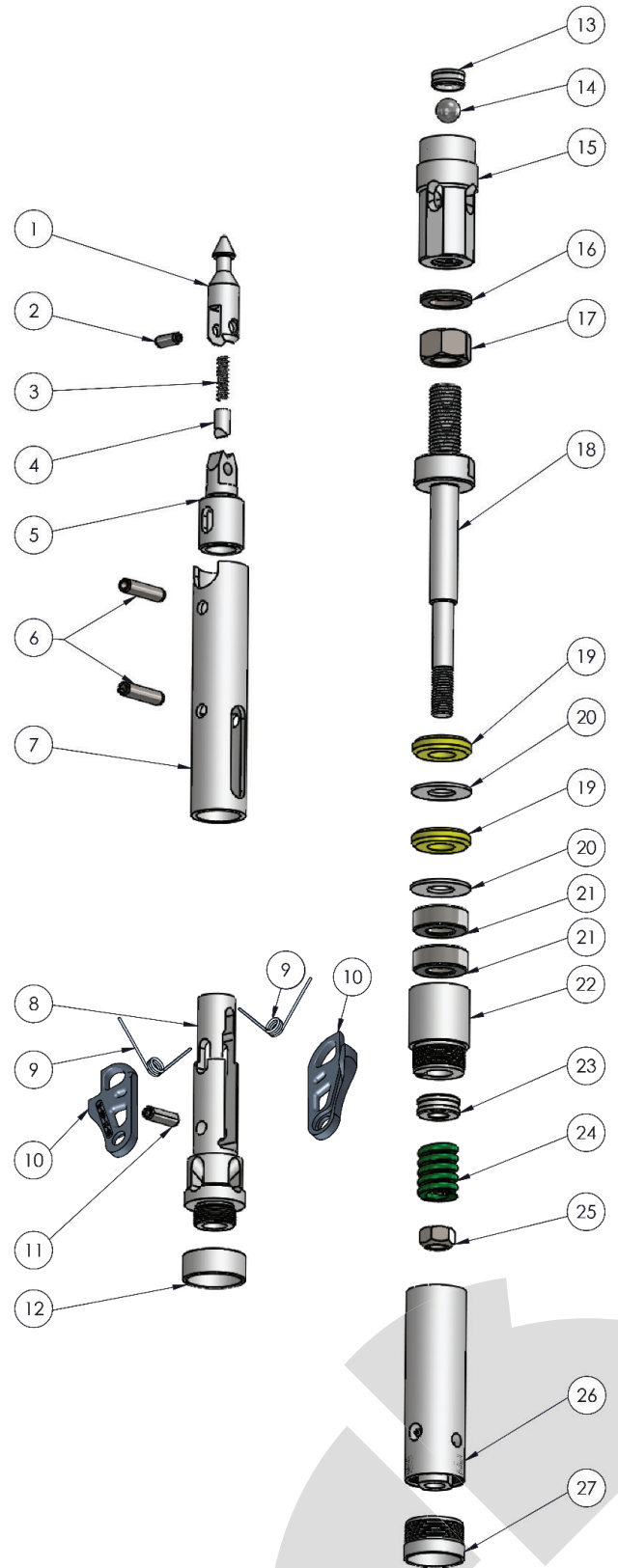
H W/L LL HEAD ASSEMBLY

ITEM #	PART #	DESCRIPTION	QTY
ASM	90-20-502-LL	H W/L Head Assembly LL	
1	90-22-301	Spearhead Point	1
2	90-22-305	Coiled Spring Pin 7/16" X 1"	1
3	90-22-302	Compression Spring	1
4	90-22-303	Detent Plunger	1
5	90-22-504	Spearhead Base	1
6	476-088	Spring Pin 1/2 x 2-3/4	2
7	90-22-506	Latch Retracting Case	1
8	90-29-479	Nylon Bolt	1
9	90-29-509-4	Washer, Spring Retainer	1
10	90-29-578	Spring, Latch Compression	1
11	90-21-509-1	Upper Latch Body	1
12	306216	Link	2
13	104818	Latch	2
14	239-317	Coiled Spring Pin	1
15	90-21-509-2	Landing Shoulder	1
16	90-29-380	Bushing, Landing Indicator	1
17	90-21-421	Stainless Steel Ball	1
18	90-21-509-3	Lower Latch Body	1
19	20WL-NL	Nord-Lock Washer	1
20	20NHZG5	Lock Nut	1
21	90-21-511	Spindle	1
22	90-21-512U	Shut Off Valve- Hard	2
23	90-21-513	Valve Adjusting Washer	2
24	90-21-514	Thrust Bearing	2
25	90-21-515	Spindle Bushing	1
26	90-21-414	Spindle Bearing	1
27	90-21-516	Compression Spring	1
28	16NSZG5	Self Locking Nut	1
29	90-21-519	Inner Tube Cap Assembly	1
30	90-21-560	Protector, Inner Tube Cap	1



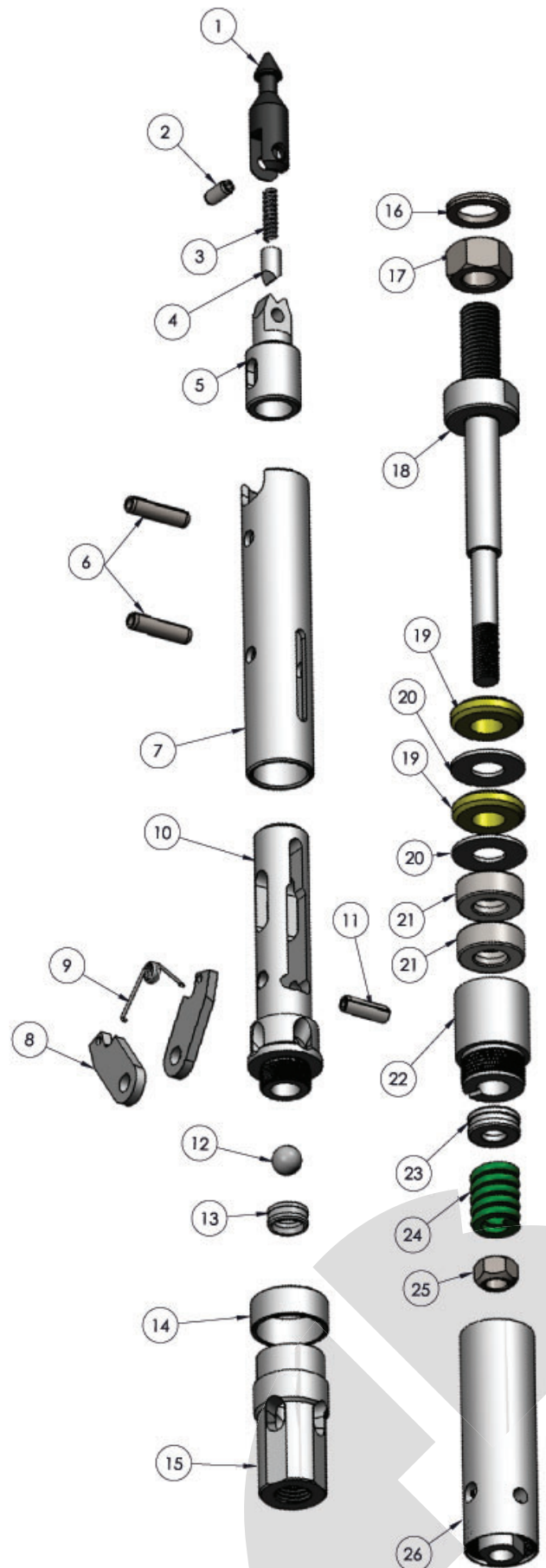
H W/L TL HEAD ASSEMBLY

ITEM #	PART #	DESCRIPTION	QTY
ASM	90-20-502-TL	H W/L Head Assembly TL	
1	90-22-301	Spearhead Point	1
2	90-22-305	Coiled Spring Pin 7/16" X 1"	1
3	90-22-302	Compression Spring	1
4	90-22-303	Detent Plunger	1
5	90-22-504	Spearhead Base	1
6	476-088	Spring Pin 1/2 x 2-3/4	2
7	90-22-506	Latch Retracting Case	1
8	90-21-509-1	Upper Latch Body	1
9	90-21-404-TL	Spring	2
10	90-21-505-TL	Latch	2
11	239-317	Coiled Spring Pin	1
12	90-21-509-2	Landing Shoulder	1
13	90-29-380	Bushing, Landing Indicator	1
14	90-21-421	Stainless Steel Ball	1
15	90-21-509-3	Lower Latch Body	1
16	20WL-NL	Nord-Lock Washer	1
17	20NHZG5	Lock Nut	1
18	90-21-511	Spindle	1
19	90-21-512U	Shut Off Valve- Hard	2
20	90-21-513	Valve Adjusting Washer	2
21	90-21-514	Thrust Bearing	2
22	90-21-515	Spindle Bushing	1
23	90-21-414	Spindle Bearing	1
24	90-21-516	Compression Spring	1
25	16NSZG5	Self Locking Nut	1
26	90-21-519	Inner Tube Cap Assembly	1
27	90-21-560	Protector, Inner Tube Cap	1



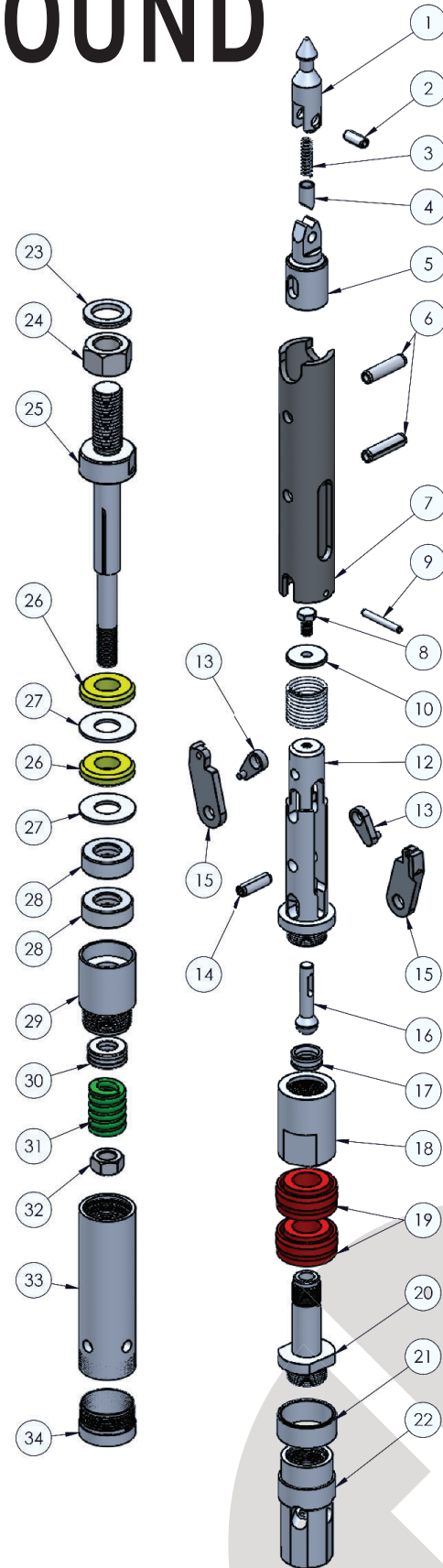
H W/L SL HEAD ASSEMBLY

ITEM #	PART #	DESCRIPTION	QTY
ASM	90-20-502	HW/L SPRING LATCH HEAD ASM	
1	90-22-301	SPEARHEAD POINT, BNHP WL	1
2	90-22-305	COILED SPRING PIN	1
3	90-22-302	SPEARHEAD SPRING	1
4	90-22-303	DETENT, SPEARHEAD	1
5	90-22-504	BASE, SPEARHEAD, HW-L	1
6	476-088	SPRING PIN, Ø1/2" X 2-3/4" LONG	2
7	90-22-506-SL	RETRACTING CASE HW-L SPRING LATCH	1
8	90-21-505	LATCH, HW-L SPRING STYLE	2
9	90-21-504	SPRING, LATCH HW-L	1
10	90-22-509-1	UPPER BODY HW-L SPRING LATCH	1
11	239-317	COILED SPRING PIN, 1/2" X 2"	1
12	90-21-421	BALL, LANDING INDICATOR	1
13	90-29-380	BUSHING, LANDING INDICATOR	1
14	90-21-509-2	LANDING SHOULDER HW-L	1
15	90-21-509-3	LATCH BODY, LOWER HW-L	1
16	20WL-NL	NORD-LOCK WASHER 1-1/4" -M33	1
17	20NHZG5	NUT HEX 1-1/4"-7 Z GR5	1
18	90-21-511	SPINDLE HW-L	1
19	90-21-512U	SHUT-OFF VALVE	2
20	90-21-513	VALVE ADJ. SPACER HW-L	2
21	90-21-514	SPINDLE BEARING UPPER	2
22	90-21-515	BUSHING, SPINDLE, NW-L	1
23	90-21-414	SPINDLE BEARING LOWER	1
24	90-21-516	COMPRESSION SPRING	1
25	16NSZG5	NUT STOVER HEX 1"-8 Z G5	1
26	90-21-519	INNER TUBE CAP ASSY	1



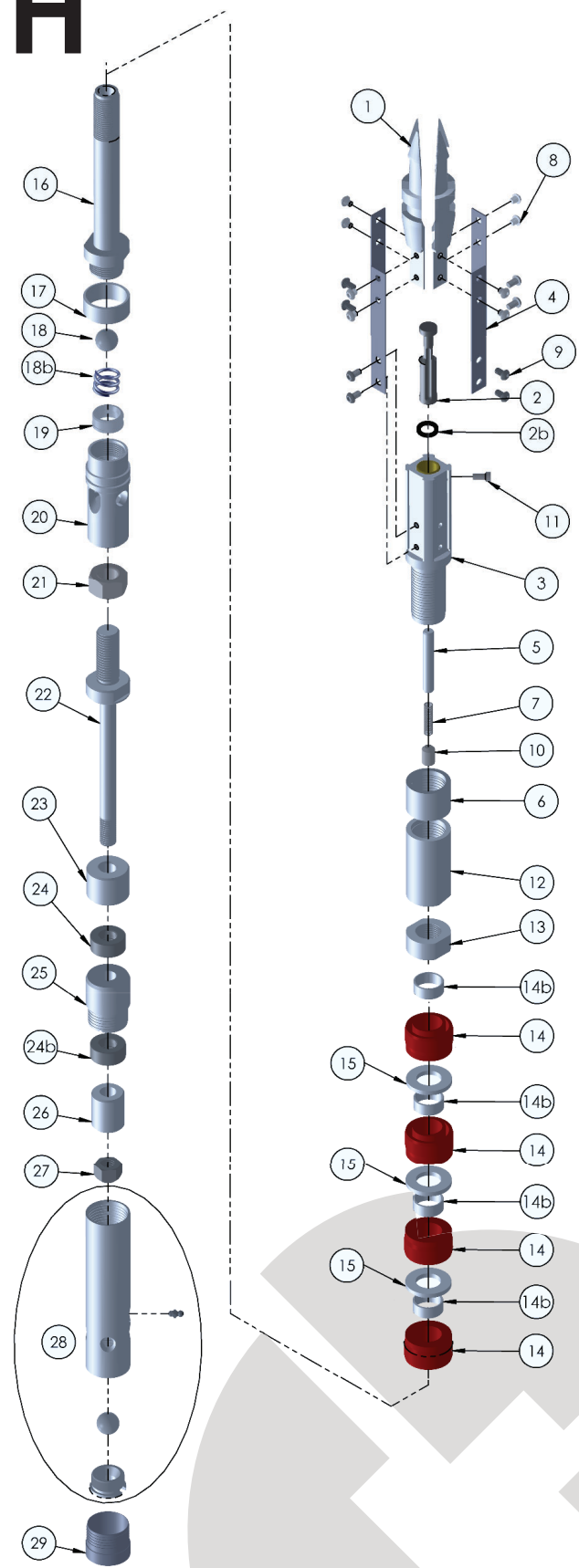
H W/L UNDERGROUND HEAD ASSEMBLY

ITEM #	PART #	DESCRIPTION	QTY
ASM	90-20-501-LL	HW/L-U HEAD ASSEMBLY	
1	90-22-301	SPEARHEAD POINT, BNHP WL	1
2	90-22-305	COILED SPRING PIN	1
3	90-22-302	SPEARHEAD SPRING	1
4	90-22-303	DETENT, SPEARHEAD	1
5	90-22-504	BASE, SPEARHEAD, HWL	1
6	476-088	SPRING PIN, Ø1/2" X 2-3/4" LONG	2
7	90-29-506	LATCH RETRACTING CASE HWLU	1
8	90-29-479	NYLON BOLT	1
9	90-29-537	SPRING PIN, Ø1/4" X 2-3/4" LONG	1
10	90-29-509-4	WASHER, SPRING RETAINER	1
11	3548738	SPRING, COMPRESSION HW-LU	1
12	90-29-509-1	LATCH BODY, UPPER HWLU	2
13	3543999	LINK HW-L	2
14	239-317	COILED SPRING PIN, 1/2" X 2"	1
15	104818	LATCH HW-L	1
16	3548544	VALVE, PISTON BNW-L	1
17	90-29-380	BUSHING, LANDING INDICATOR	1
18	90-29-577	ADAPTER, LATCH BODY HWLU	1
19	90-29-553	SEAL, HWL PUMP-IN	1
20	90-21-578	SEAT, LATCH BODY SEAL	1
21	90-21-509-2	LANDING SHOULDER HWL	1
22	90-21-509-3	LATCH BODY, LOWER HWL	2
23	20WL-NL	NORD-LOCK WASHER 1-1/4"	2
24	20NHZG5	NUT HEX 1-1/4 Z GR5	1
25	90-21-511	SPINDLE HWL	1
26	90-21-512U	SHUT-OFF VALVE	1
27	90-21-513	WASHER	1
28	90-21-514	SPINDLE BEARING UPPER	2
29	90-21-515	BUSHING, SPINDLE HWL	1
30	90-21-414	SPINDLE BEARING LOWER	1
31	90-21-516	COMPRESSION SPRING	1
32	16NSZG5	NUT STOVER HEX 1" Z G5	1
33	90-21-519	INNER TUBE CAP ASSY	1
34	90-21-560	PROTECTOR, INNER TUBE CAP	1



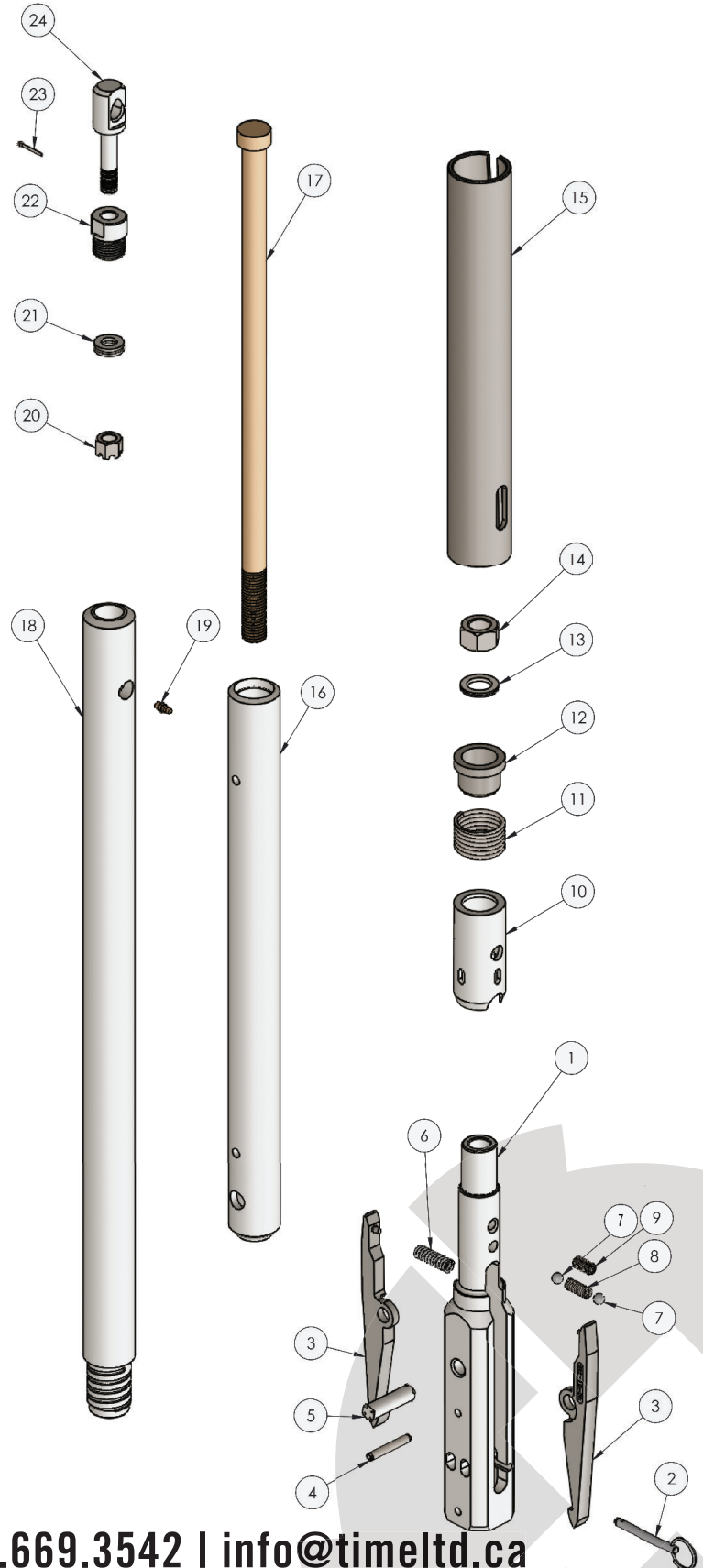
QUAD LATCH H HEAD ASSEMBLY

ITEM #	PART #	DESCRIPTION
	92-45-302	QUAD LATCH HEAD ASSEMBLY H
1	92-44-501	QUAD LATCH FINGER
2	92-44-502	PISTON
2b	568-119-90	O-RING
3	92-44-503	HEAD BASE
4	92-44-505	LEAF SPRING
5	92-44-506	PUSH ROD
6	92-44-507	LOCK NUT, ADAPTER
7	92-44-518	COMPRESSION SPRING
8	92-44-526	CAP SCREW - FINGER TO SPRING
9	92-44-526	CAP SCREW - SPRING TO BODY
10	92-44-527	SET SCREW
11	92-44-504	STOP SCREW
12	92-45-508	ADAPTER, BASE SHAFT
13	92-45-509	LOCK NUT, SHAFT
14	92-44-553	SEAL, PUMP-IN
14b	92-44-510	SPACER, PUMP-IN SEAL
15	92-45-511	THRUST WASHER
16	92-45-513	PUMP-IN SHAFT
17	90-21-509-2	LANDING SHOULDER
18	90-21-421	BALL, WATER RETENTION
18b	90-29-482	SPRING, WATER RETENSION, BLUE, LIGHT
18b	90-29-483	SPRING, WATER RETENSION, RED, MEDIUM
19	90-29-381	BUSHING
20	90-21-509-3	LATCH BODY, LOWER
21	20NHZG5	JAM NUT
22	90-21-511	SPINDLE
23	92-45-514	SPACER, VALVE REPLACEMENT
24	90-21-514	BEARING
25	90-21-515	BEARING, HANGER
24b	90-21-414	BUSHING, SPINDLE
26	92-45-518	SPACER, SPRING REPLACEMENT
27	16NSZG5	LOCK NUT
28	90-21-519	ASSEMBLY, INNER CAP
29	90-21-560	PROTECTOR, INNER TUBE CAP



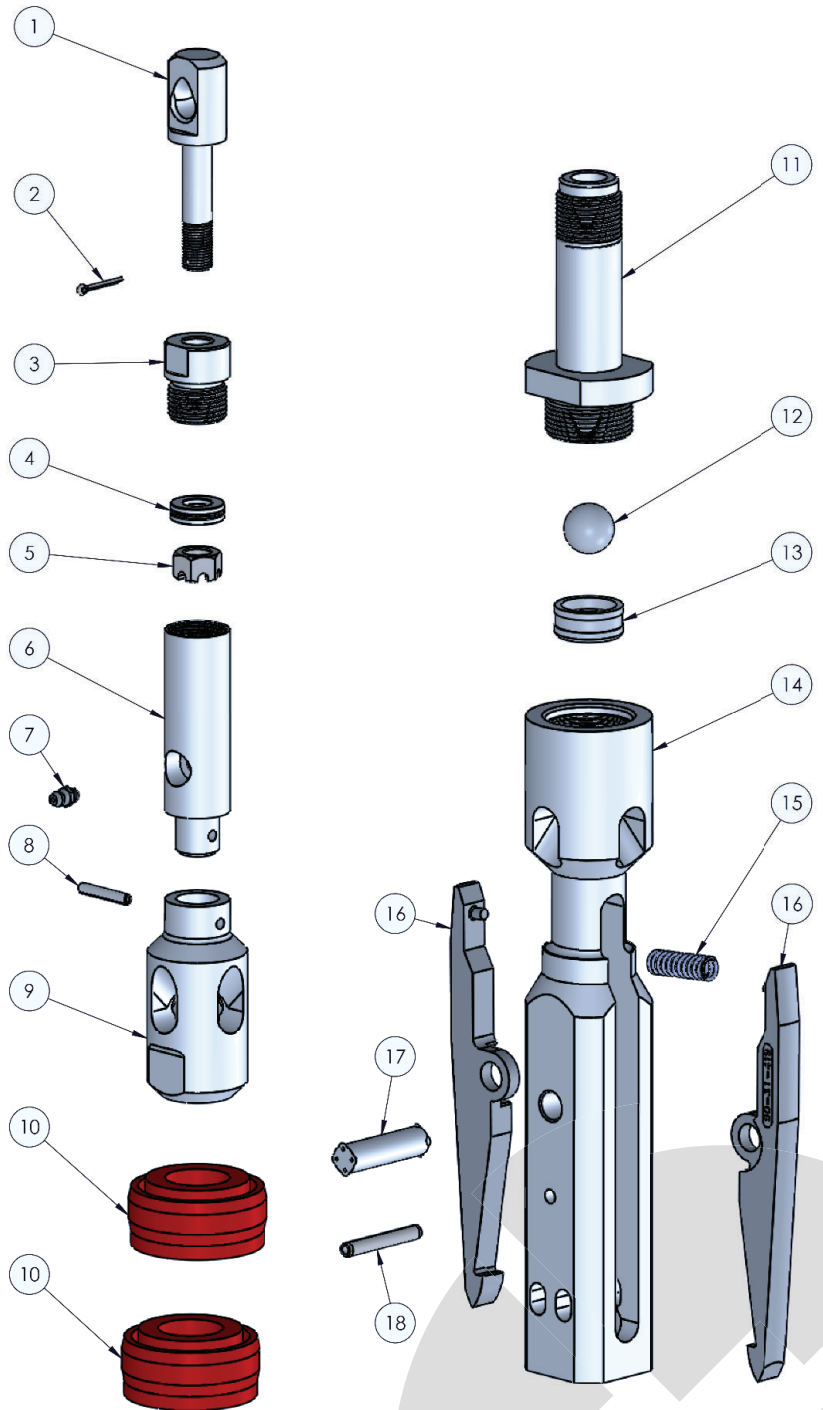
H W/L LOCKABLE OVERSHOT

ITEM #	PART #	DESCRIPTION	QTY
ASM	90-32-501	HW/L LOCKABLE OVERSHOT	
1	90-31-555	HEAD BODY, HW-L	1
2	90-31-456	1/4" QUICK-RELEASE PIN	1
3	90-31-419-TL	LIFTING DOG	2
4	476-060	SPRING PIN, 1/4" X 2"	1
5	90-31-558	DOWEL PIN, HW-L LIFTING DOGS	1
6	90-31-416	COMPRESSION SPRING	1
7	90-31-460	BALL BEARING	2
8	90-31-316	COMPRESSION SPRING	1
9	08012SSNLK	NYLOK SET SCREW, 3/8 X 3/4"	1
10	3546745	LOCKING SLEEVE	1
11	90-31-415	LOCK SPRING	1
12	90-31-450	SPRING BUSHING	1
13	12WL-NL	NORD-LOCK WASHER 3/4"	1
14	12NHZG5	NUT HEX 3/4 Z GR5	1
15	90-31-411	LOCKING SLEEVE	1
16	90-32-421	JAR TUBE	1
17	90-32-412	JAR STAFF	1
18	90-32-407	BODY, CABLE SWIVEL	1
19	90-29-020	GREASE FITTING	1
20	90-31-205	1/2 CASTLE NUT	1
21	90-31-204	THRUST BEARING	1
22	90-31-202	COLLAR, CABLE SWIVEL	1
23	90-31-206	COTTER PIN	1
24	90-31-201	SWIVEL, CABLE EYE BOLT	1



H W/L UNDERGROUND OVERSHOT ASSEMBLY

ITEM #	PART #	DESCRIPTION	QTY
ASM	90-32-502	HW/L-U OVERSHOT	
1	90-31-201	SWIVEL CABLE EYE BOLT	1
2	90-31-206	PIN, COTTER	1
3	90-31-202	COLLAR, CABLE SWIVEL	2
4	90-31-204	THRUST BEARING	1
5	90-31-205	NUT, CASTLE HEX	1
6	90-31-307	BODY, CABLE SWIVEL	1
7	90-29-020	GREASE FITTING	2
8	239-349	PIN, COILED, SHEAR	1
9	90-31-512	BODY, OVERSHOT UPPER	1
10	90-29-553	SEAL, PUMP IN	1
11	90-21-578	SEAT, PUMP-IN SEAL	1
12	90-21-421	BALL	1
13	90-29-380	BUSHING, LANDING INDICATOR	1
14	90-31-555U	HEAD, OVERSHOT	1
15	90-31-416	SPRING	1
16	90-31-419-TL	LIFTING DOG	1
17	90-31-558	PIN, PIVOT	1
18	476-060	PIN, ANTI-SWAY	1



QUAD LATCH OVERSHOT HEAD

The Quad Latch Overshot Head is designed to be compatible with other existing overshot designs. Simply remove the existing overshot head, and install the Quad Latch Overshot Head. No additional parts required.

PART #	DESCRIPTION
92-46-501	Quad Latch Overshot Head H

