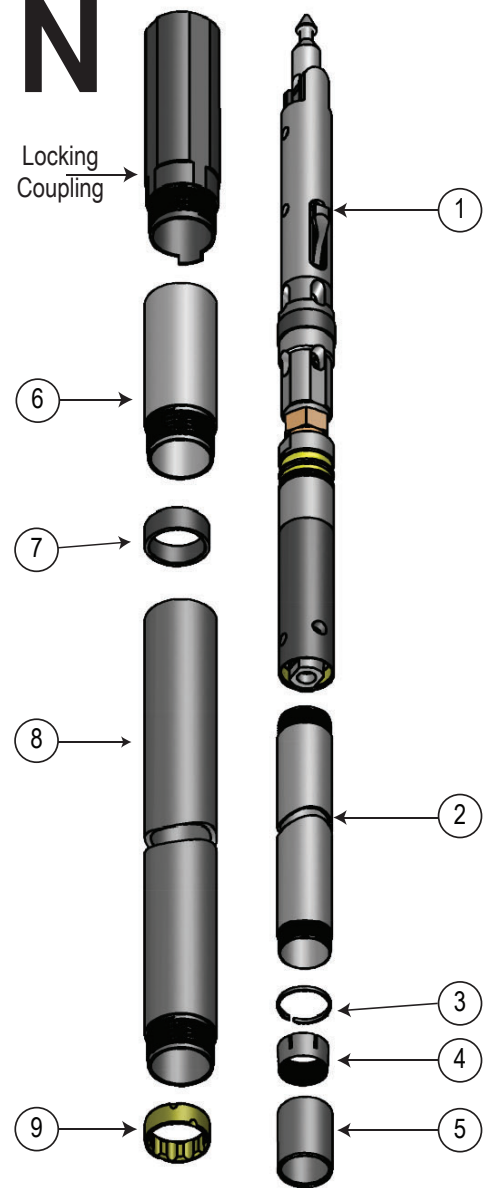


CORE BARREL N

ITEM #	PART #	DESCRIPTION
1A	90-20-402-LL	LL HEAD ASSEMBLY
1B	90-20-402-TL	TL HEAD ASSEMBLY
1C	90-20-401-LL	LL UNDERGROUND HEAD ASSEMBLY
1D	92-45-402	N QUAD LATCH HEAD ASSEMBLY
2A	90-21-425	1.5 M / 5 FT INNER TUBE
2B	90-21-430	3.0 M / 10 FT INNER TUBE
2C	90-21-425CP	1.5 M / 5 FT INNER TUBE CHROME
2D	90-21-430CP	3.0 M / 10 FT INNER TUBE CHROME
3	90-21-432	STOP RING
4A	90-21-433	CORE LIFTER SLOTTED
4B	90-21-433B	CORE LIFTER FLUTED
4C	90-21-433BDC	CORE LIFTER FLUTED DIAMOND COATED
4D	90-21-433BKT	CORE LIFTER BASKET
4E	90-21-433S2	CORE LIFTER SUPER SMOOTHY
5	90-21-431	CORE LIFTER CASE
6A	90-21-435	ADAPTER COUPLING
6B	90-21-435H	ADAPTER COUPLING - FULL HOLE
6C	90-21-435U	ADAPTER COUPLING UNDERGROUND
6D	N/A	QUAD LATCH refer to 1pc locking coupling below
7	90-21-436	LANDING RING
8A	90-21-445	OUTER TUBE 1.5M/5FT
8B	90-21-450	OUTER TUBE 3M/10FT
8C	90-21-445CP	OUTER TUBE 1.5M/5FT CHROME
8D	90-21-450CP	OUTER TUBE 3M/10FT CHROME
8E	90-21-494	OUTER TUBE 1.5M/5FT FULL HOLE
8F	90-21-495	OUTER TUBE 3M/10FT FULL HOLE
8G	90-21-494CP	OUTER TUBE 1.5M/5FT FULL HOLE CHROME
8H	90-21-495CP	OUTER TUBE 3M/10FT FULL HOLE CHROME
9	90-21-439	STABILIZER
Not Shown	90-21-491	INNER TUBE COUPLING
Not Shown	90-21-492	INNER TUBE EXTENSION - 10" REAMING SHELL
Not Shown	90-21-493	INNER TUBE EXTENSION - 18" REAMING SHELL



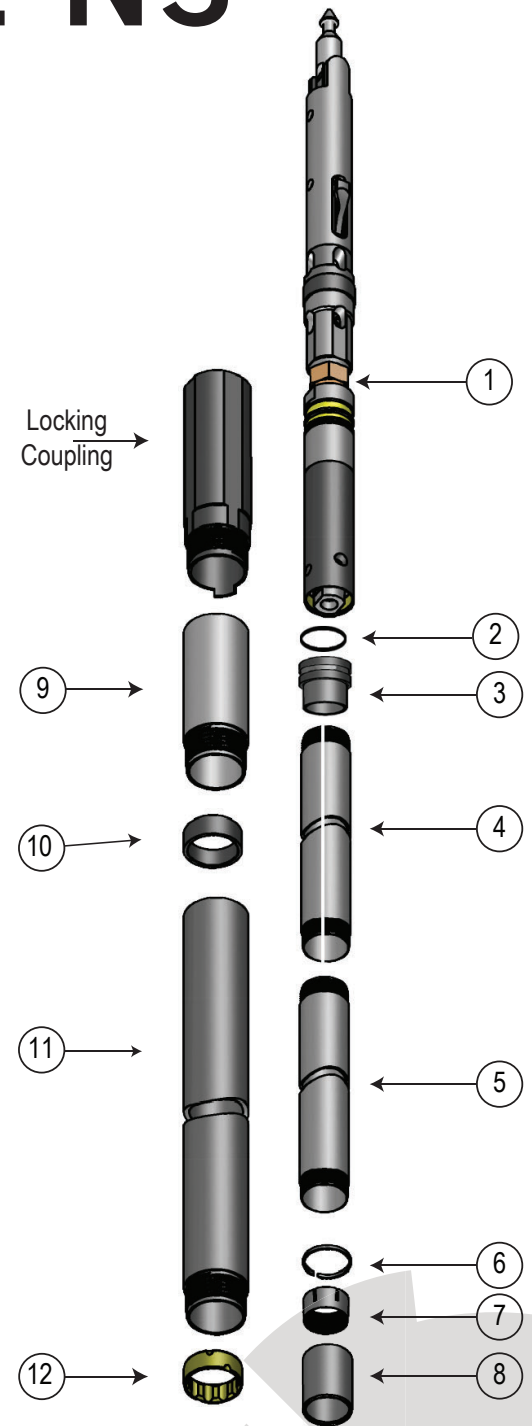
LOCKING COUPLINGS

SIZE	PART #	DESCRIPTION	SIZE	PART #	DESCRIPTION
NW/L	92-45-435	QUAD LATCH	NRW/L	90-21-483H	FULL HOLE W/ TANG
NT	92-45-473	QUAD LATCH	NW/L	90-21-434-2U	CONV HELICAL
NRW/L	92-45-483	QUAD LATCH	NT	90-21-473-2U	CONV HELICAL
NW/L	90-21-434BU	BLANK	NRW/L	90-21-483-2U	CONV HELICAL
NT	90-21-473BU	BLANK	NW/L	90-21-434-2	CONV HELICAL W/ TANG
NRW/L	90-21-483BU	BLANK	NT	90-21-473-2	CONV HELICAL W/ TANG
NW/L	90-21-434B	BLANK W/ TANG	NRW/L	90-21-483-2	CONV HELICAL W/ TANG
NT	90-21-473B	BLANK W/ TANG	NW/L	90-21-434CU	CARBIDE
NRW/L	90-21-483B	BLANK W/ TANG	NT	90-21-473CU	CARBIDE
NW/L	90-21-434HU	FULL HOLE	NRW/L	90-21-483CU	CARBIDE
NT	90-21-473HU	FULL HOLE	NW/L	90-21-434C	CARBIDE W/ TANG
NRW/L	90-21-483HU	FULL HOLE	NT	90-21-473C	CARBIDE W/ TANG
NW/L	90-21-434H	FULL HOLE W/ TANG	NRW/L	90-21-483C	CARBIDE W/ TANG
NT	90-21-473H	FULL HOLE W/ TANG			

CORE BARREL N3

ITEM #	PART #	DESCRIPTION
1A	90-20-402-LL	LL HEAD ASSEMBLY
1B	90-20-402-TL	TL HEAD ASSEMBLY
1C	90-20-401-LL	LL UNDERGROUND HEAD ASSEMBLY
2	92-21-426	O-RING
3	92-21-427	PISTON
Not Shown	92-21-437	PUMP OUT ADAPTER
Not Shown	92-21-338	PISTON PLUG
4A	92-21-428	1.5 M / 5 FT SPLIT TUBE SET
4B	92-21-429	3 M / 10 FT SPLIT TUBE SET
5A	90-21-425	1.5 M / 5 FT INNER TUBE
5B	90-21-430	3.0 M / 10 FT INNER TUBE
5C	90-21-425CP	1.5 M / 5 FT INNER TUBE CHROME
5D	90-21-430CP	3.0 M / 10 FT INNER TUBE CHROME
6	92-21-432	STOP RING
7A	92-21-433	CORE LIFTER SLOTTED
7B	92-21-433B	CORE LIFTER FLUTED
7C	92-21-433BDC	CORE LIFTER FLUTED DIAMOND COATED
7D	92-21-433BKT	CORE LIFTER BASKET
7E	92-21-433S2	CORE LIFTER SUPER SMOOTHY
8	92-21-431	CORE LIFTER CASE
9A	90-21-435	ADAPTER COUPLING
9B	90-21-435H	ADAPTER COUPLING - FULL HOLE
9C	90-21-435U	ADAPTER COUPLING UNDERGROUND
10	90-21-436	LANDING RING
11A	90-21-445	OUTER TUBE 1.5M/5FT
11B	90-21-450	OUTER TUBE 3M/10FT
11C	90-21-445CP	OUTER TUBE 1.5M/5FT CHROME
11D	90-21-450CP	OUTER TUBE 3M/10FT CHROME
11E	90-21-494	OUTER TUBE 1.5M/5FT FULL HOLE
11F	90-21-495	OUTER TUBE 3M/10FT FULL HOLE
11G	90-21-494CP	OUTER TUBE 1.5M/5FT FULL HOLE CHROME
11H	90-21-495CP	OUTER TUBE 3M/10FT FULL HOLE CHROME
12	90-21-439	STABILIZER
Not Shown	90-21-491	INNER TUBE COUPLING
Not Shown	90-21-492	INNER TUBE EXTENSION - 10" REAMING SHELL
Not Shown	90-21-493	INNER TUBE EXTENSION - 18" REAMING SHELL

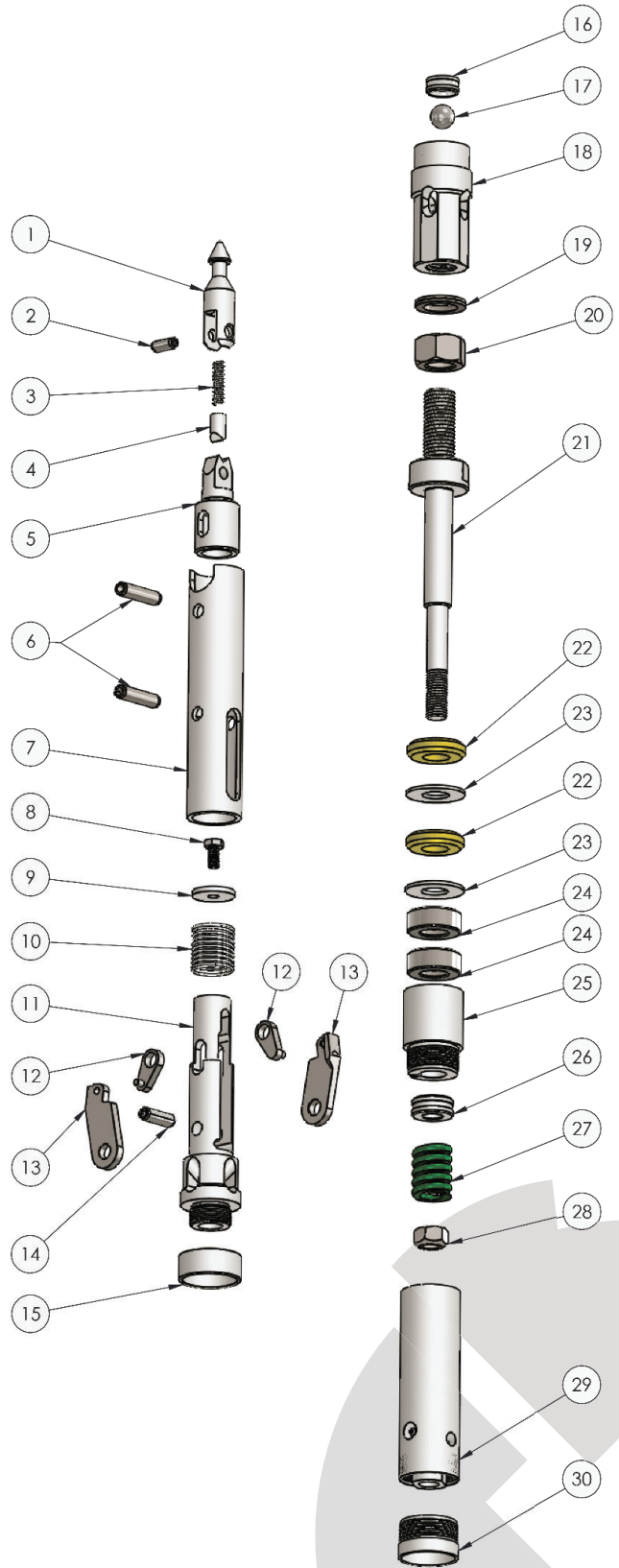
LOCKING COUPLINGS					
SIZE	PART #	DESCRIPTION	SIZE	PART #	DESCRIPTION
NW/L	90-21-434BU	BLANK	NW/L	90-21-434-2U	CONV HELICAL
NT	90-21-473BU	BLANK	NT	90-21-473-2U	CONV HELICAL
NRW/L	90-21-483BU	BLANK	NRW/L	90-21-483-2U	CONV HELICAL
NW/L	90-21-434B	BLANK W/ TANG	NW/L	90-21-434-2	CONV HELICAL W/ TANG
NT	90-21-473B	BLANK W/ TANG	NT	90-21-473-2	CONV HELICAL W/ TANG
NRW/L	90-21-483B	BLANK W/ TANG	NRW/L	90-21-483-2	CONV HELICAL W/ TANG
NW/L	90-21-434HU	FULL HOLE	NW/L	90-21-434CU	CARBIDE
NT	90-21-473HU	FULL HOLE	NT	90-21-473CU	CARBIDE
NRW/L	90-21-483HU	FULL HOLE	NRW/L	90-21-483CU	CARBIDE
NW/L	90-21-434H	FULL HOLE W/ TANG	NW/L	90-21-434C	CARBIDE W/ TANG
NT	90-21-473H	FULL HOLE W/ TANG	NT	90-21-473C	CARBIDE W/ TANG
NRW/L	90-21-483H	FULL HOLE W/ TANG	NRW/L	90-21-483C	CARBIDE W/ TANG



800.669.3542 | info@timeltd.ca

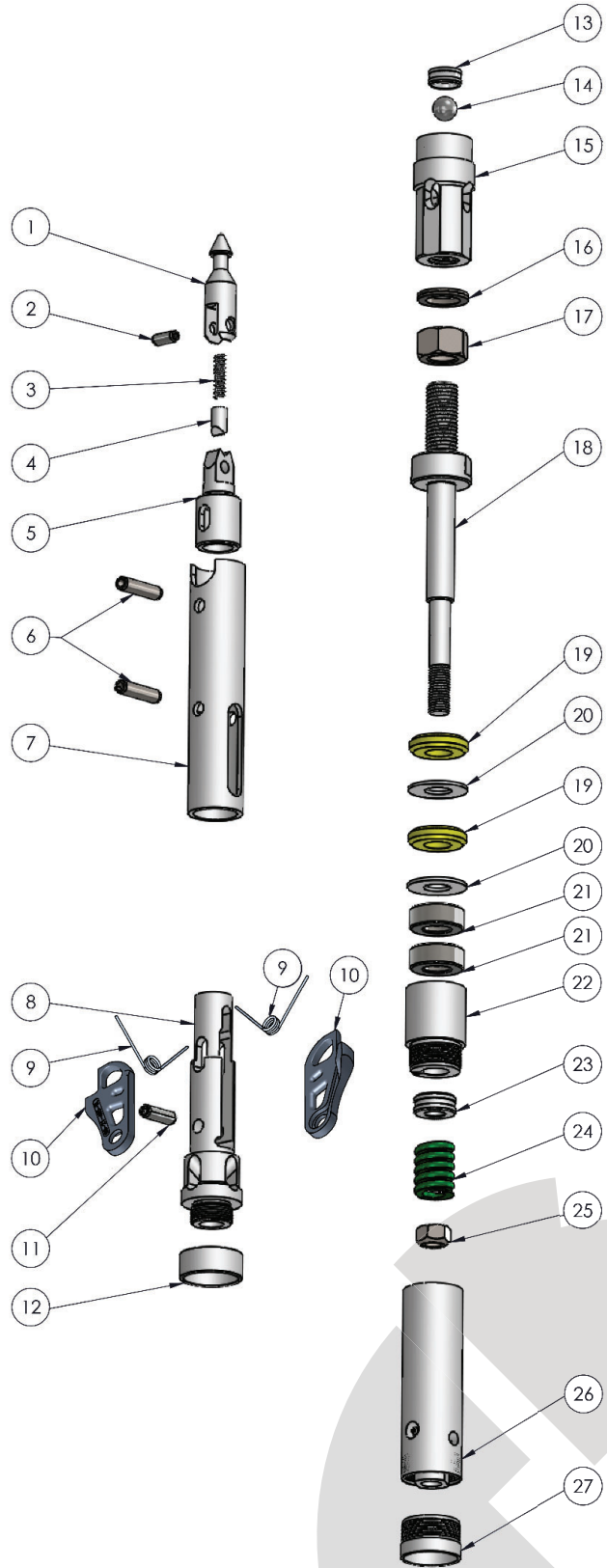
N W/L LL HEAD ASSEMBLY

ITEM #	PART #	DESCRIPTION	QTY
ASM	90-20-402-LL	N W/L Head Assembly LL	
1	90-22-301	Spearhead Point	1
2	90-22-305	Coiled Spring Pin 7/16" X 1"	1
3	90-22-302	Compression Spring	1
4	90-22-303	Detent Plunger	1
5	90-22-404	Spearhead Base	1
6	476-085	Spring Pin 1/2 x 2	2
7	90-22-406	Latch Retracting Case	1
8	90-29-479	Nylon Bolt	1
9	90-29-409-4	Washer, Spring Retainer	1
10	90-29-478	Spring, Latch Compression	1
11	90-21-409-1	Upper Latch Body	1
12	306454	Link	2
13	104816	Latch	2
14	90-21-406	Coiled Spring Pin	1
15	90-21-409-2	Landing Shoulder	1
16	90-29-380	Bushing, Landing Indicator	1
17	90-21-421	Stainless Steel Ball	1
18	90-21-409-3	Lower Latch Body	1
19	18WL-NL	Nord-Lock Washer	1
20	18NHZG5	Lock Nut	1
21	90-21-411	Spindle	1
22	90-21-412U	Shut Off Valve- Hard	2
23	90-21-413	Valve Adjusting Washer	2
24	90-21-414	Thrust Bearing	1
25	90-21-415	Spindle Bushing	1
26	90-21-424	Spindle Bearing Lower	1
27	90-21-416	Compression Spring	1
28	12NSZG5	Self Locking Nut	1
29	90-21-419	Inner Tube Cap Assembly	1
30	90-21-460	Protector, Inner Tube Cap	1



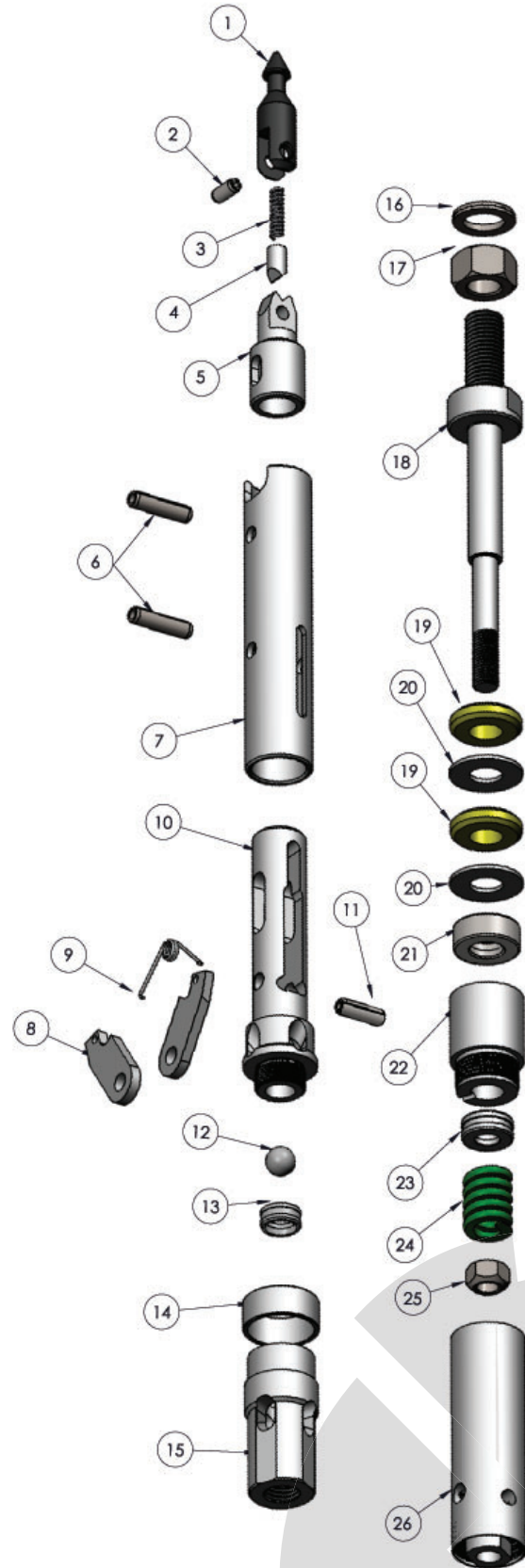
N W/L TL HEAD ASSEMBLY

ITEM #	PART #	DESCRIPTION	QTY
ASM	90-20-402-TL	N W/L Head Assembly TL	
1	90-22-301	Spearhead Point	1
2	90-22-305	Coiled Spring Pin 7/16" X 1"	1
3	90-22-302	Compression Spring	1
4	90-22-303	Detent Plunger	1
5	90-22-404	Spearhead Base	1
6	476-085	Spring Pin 1/2 x 2	2
7	90-22-406	Latch Retracting Case	1
8	90-21-409-1	Upper Latch Body	1
9	90-21-404-TL	Spring	2
10	90-21-405-TL	Latch	2
11	90-21-406	Coiled Spring Pin	1
12	90-21-409-2	Landing Shoulder	1
13	90-29-380	Bushing, Landing Indicator	1
14	90-21-421	Stainless Steel Ball	1
15	90-21-409-3	Lower Latch Body	1
16	18WL-NL	Nord-Lock Washer	1
17	18NHZG5	Lock Nut	1
18	90-21-411	Spindle	1
19	90-21-412U	Shut Off Valve- Hard	2
20	90-21-413	Valve Adjusting Washer	2
21	90-21-414	Thrust Bearing	1
22	90-21-415	Spindle Bushing	1
23	90-21-424	Spindle Bearing Lower	1
24	90-21-416	Compression Spring	1
25	12NSZG5	Self Locking Nut	1
26	90-21-419	Inner Tube Cap Assembly	1
27	90-21-460	Protector, Inner Tube Cap	1



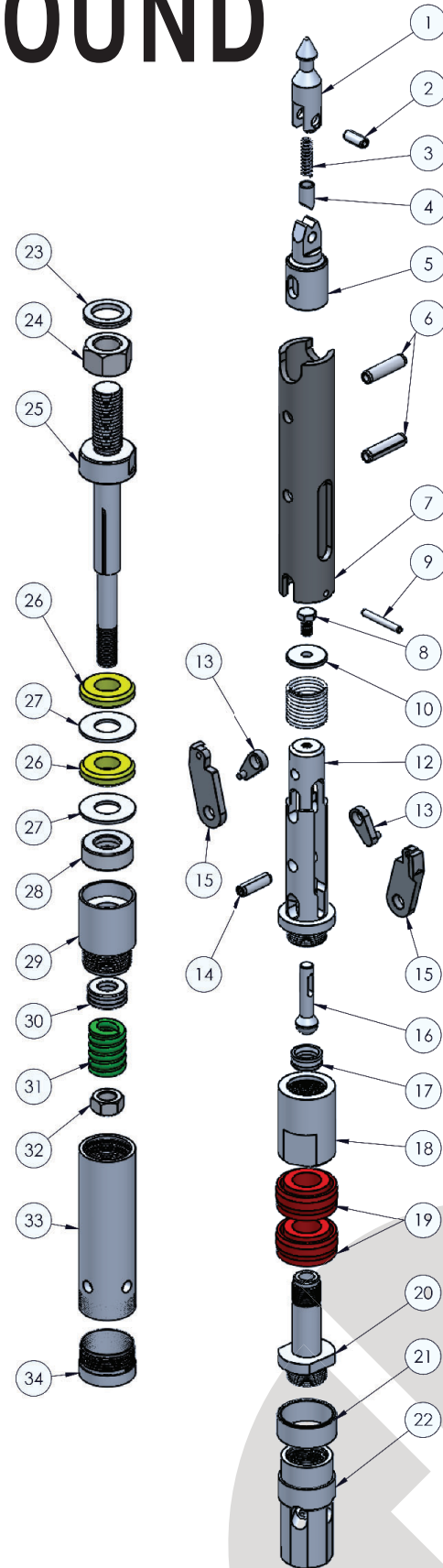
N W/L SL HEAD ASSEMBLY

ITEM #	PART #	DESCRIPTION	QTY
ASM	90-20-402	NW/L SPRING LATCH HEAD ASM	
1	90-22-301	SPEARHEAD POINT, BNHP WL	1
2	90-22-305	COILED SPRING PIN	1
3	90-22-302	SPEARHEAD SPRING	1
4	90-22-303	DETENT, SPEARHEAD	1
5	90-22-404	BASE, SPEARHEAD, NWL	1
6	476-085	SPRING PIN, Ø1/2" X 2" LONG	2
7	90-22-406-SL	RETRACTING CASE NW-L SPRING LATCH	1
8	90-21-405	LATCH, NW-L SPRING STYLE	2
9	90-21-404	SPRING, LATCH	1
10	90-22-409-1	UPPER BODY NW-L SPRING LATCH	1
11	90-21-406	COILED SPRING PIN, 1/2" X 1-1/2"	1
12	90-21-421	BALL, STEEL	1
13	90-29-380	BUSHING, LANDING INDICATOR	1
14	90-21-409-2	LANDING SHOULDER NWL	1
15	90-21-409-3	LATCH BODY, LOWER NWL	1
16	18WL-NL	NORD-LOCK WASHER 1 1/8" -M30	1
17	18NHZG5	NUT HEX 1-1/8-7 Z GR5	1
18	90-21-411	SPINDLE NWL	1
19	90-21-412U	SHUT-OFF VALVE	2
20	90-21-413	WASHER	2
21	90-21-414	SPINDLE BEARING UPPER	1
22	90-21-415	BUSHING, SPINDLE, NWL	1
23	90-21-424	SPINDLE BEARING LOWER	1
24	90-21-416	COMPRESSION SPRING	1
25	12NSZG5	NUT STOVER HEX 3/4 Z G5	1
26	90-21-419	INNER TUBE CAP ASSY	1



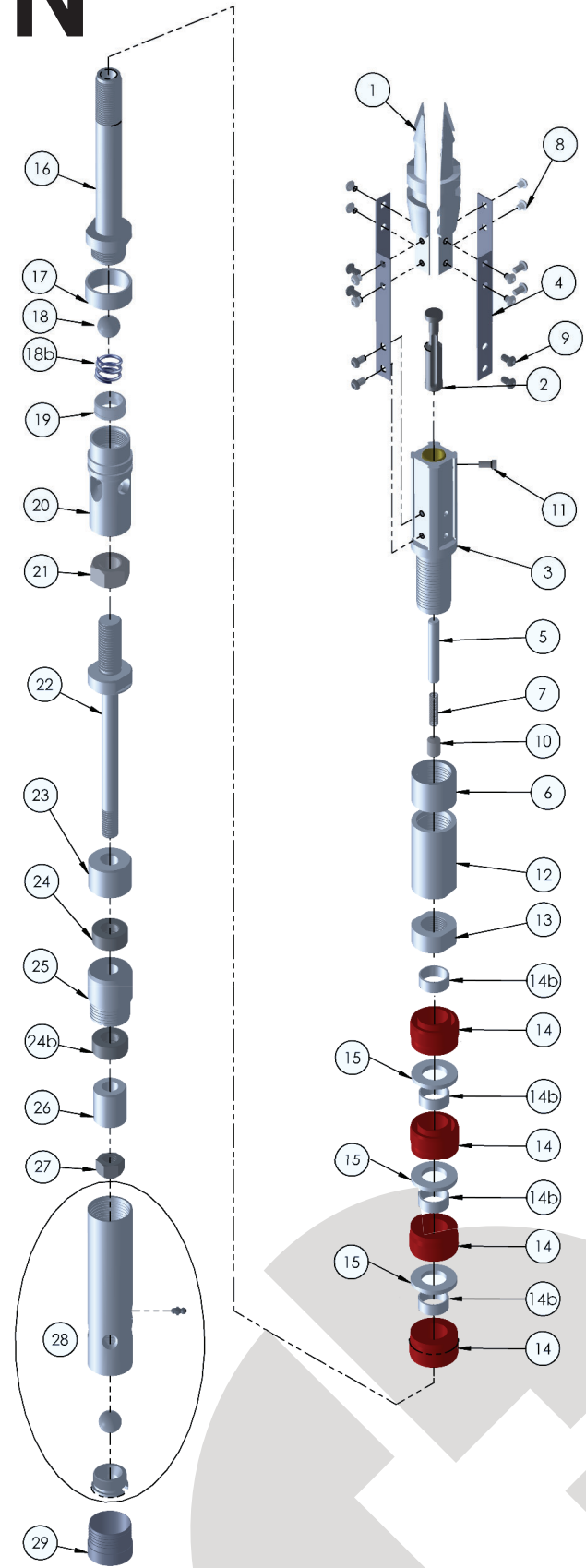
N W/L UNDERGROUND HEAD ASSEMBLY

ITEM #	PART #	DESCRIPTION	QTY
ASM	90-20-401-LL	NW/L-U HEAD ASSEMBLY	
1	90-22-301	SPEARHEAD POINT, BNHP WL	1
2	90-22-305	COILED SPRING PIN	1
3	90-22-302	SPEARHEAD SPRING	1
4	90-22-303	DETENT, SPEARHEAD	1
5	90-22-404	BASE, SPEARHEAD, NWL	1
6	476-085	SPRING PIN, Ø1/2" X 2" LONG	2
7	90-29-406	LATCH RETRACTING CASE NWLU	1
8	90-29-479	NYLON BOLT	1
9	476-060	SPRING PIN, Ø1/4" X 2" LONG	1
10	90-29-409-4	WASHER, SPRING RETAINER	1
11	3543136	SPRING, COMPRESSION NW-LU	1
12	90-29-409-1	LATCH BODY, UPPER NWLU	2
13	104817	LINK NW-L	2
14	90-21-406	COILED SPRING PIN, 1/2" X 1-1/2"	1
15	104816	LATCH NW-L	1
16	3547672	VALVE, PISTON BNW-L	1
17	90-29-380	BUSHING, LANDING INDICATOR	1
18	90-29-477	ADAPTER, LATCH BODY NWLU	1
19	90-29-453	SEAL, NWLU PUMP-IN	1
20	90-21-478	SEAT, LATCH BODY SEAL	1
21	90-21-409-2	LANDING SHOULDER NWL	1
22	90-21-409-3	LATCH BODY, LOWER NWL	2
23	18WL-NL	NORD-LOCK WASHER 1 1/8" & M30	2
24	18NHZG5	NUT HEX 1-1/8 Z GR5	1
25	90-21-411	SPINDLE NWL	1
26	90-21-412U	SHUT-OFF VALVE	1
27	90-21-413	WASHER	1
28	90-21-414	SPINDLE BEARING UPPER	1
29	90-21-415	BUSHING, SPINDLE, NWL	1
30	90-21-424	SPINDLE BEARING LOWER	1
31	90-21-416	COMPRESSION SPRING	1
32	12NSZG5	NUT STOVER HEX 3/4 Z G5	1
33	90-21-419	INNER TUBE CAP ASSY	1
34	90-21-460	PROTECTOR, INNER TUBE CAP	1



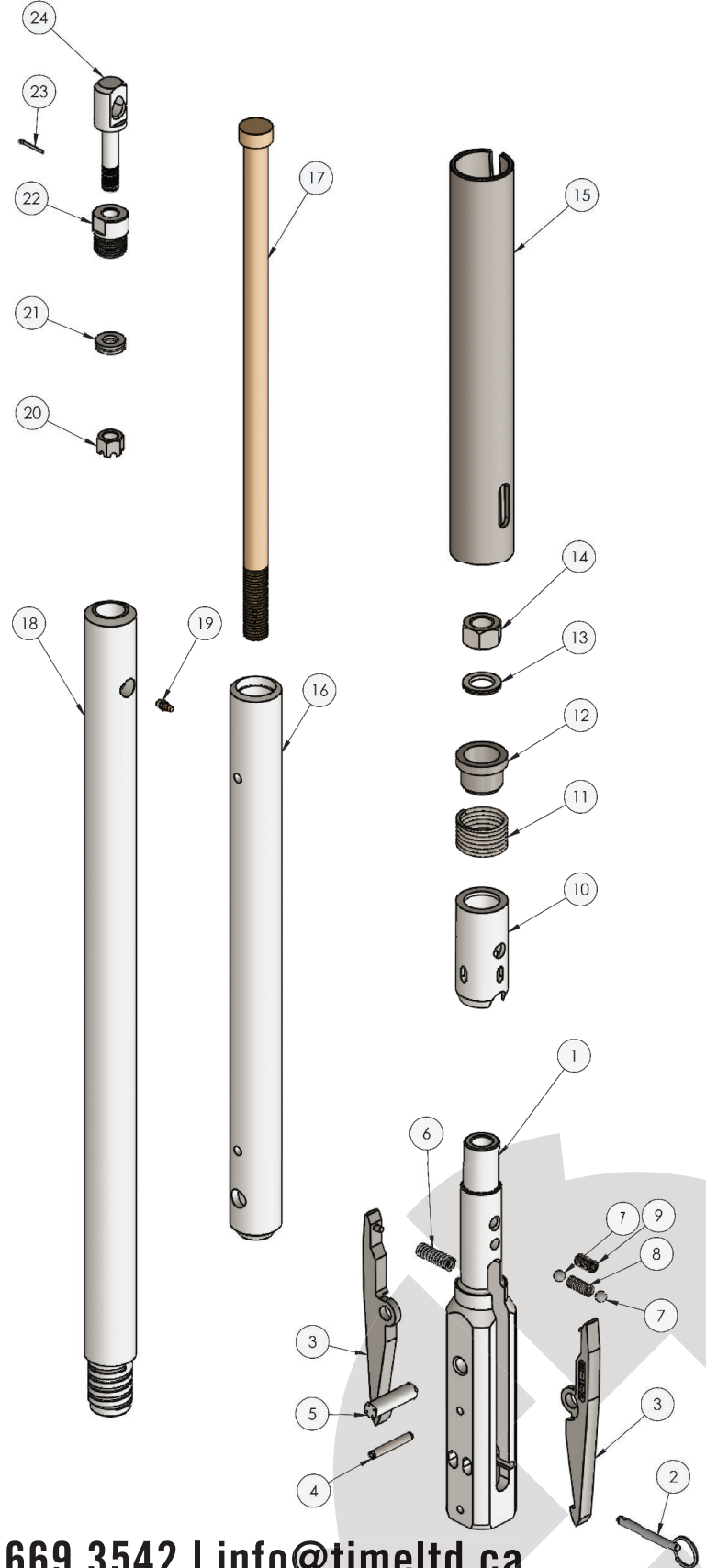
QUAD LATCH N HEAD ASSEMBLY

ITEM #	PART #	DESCRIPTION
	92-45-402	QUAD LATCH HEAD ASSEMBLY N
1	92-44-401	QUAD LATCH FINGER
2	92-44-402	PISTON
3	92-45-403	HEAD BASE
4	92-44-405	LEAF SPRING
5	92-44-406	PUSH ROD
6	92-45-407	LOCK NUT, ADAPTER
7	92-44-418	COMPRESSION SPRING
8	92-44-525	CAP SCREW - FINGER TO SPRING
9	92-44-526	CAP SCREW - SPRING TO BODY
10	92-44-427	SET SCREW
11	92-44-404	STOP SCREW
12	92-45-408	ADAPTER, BASE SHAFT
13	92-45-409	LOCK NUT, SHAFT
14	92-44-453	SEAL, PUMP-IN
14b	92-45-410	SPACER, PUMP-IN SEAL
15	92-45-411	THRUST WASHER
16	92-45-413	PUMP-IN SHAFT
17	90-21-409-2	LANDING SHOULDER
18	90-21-421	BALL, WATER RETENTION
18b	90-29-482	SPRING, WATER RETENSION, BLUE, LIGHT
18b	90-29-483	SPRING, WATER RETENSION, RED, MEDIUM
19	90-29-381	BUSHING
20	90-21-409-3	LATCH BODY, LOWER
21	18NHZG5	JAM NUT
22	90-21-411	SPINDLE
23	92-45-414	SPACER, VALVE REPLACEMENT
24	90-21-414	BEARING
24b	90-21-424	BEARING, HANGER
25	90-21-415	BUSHING, SPINDLE
26	92-45-418	SPACER, SPRING REPLACEMENT
27	12NSZG5	LOCK NUT
28	90-21-419	ASSEMBLY, INNER CAP
29	90-21-460	PROTECTOR, INNER TUBE CAP



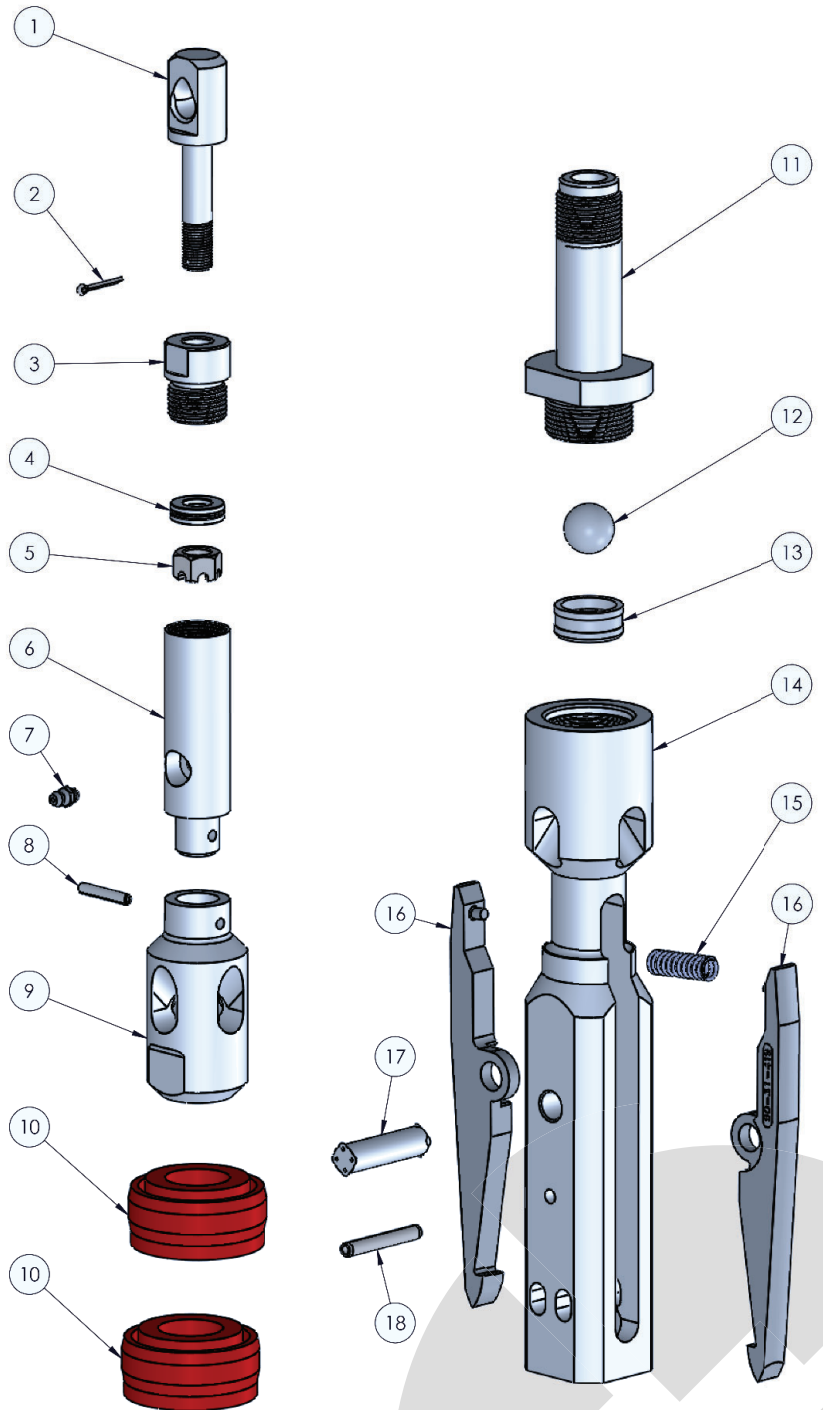
N W/L LOCKABLE OVERSHOT

ITEM #	PART #	DESCRIPTION	QTY
ASM	90-32-401	NW/L LOCKABLE OVERSHOT	
1	90-31-455	HEAD BODY, NW-L	1
2	90-31-456	1/4" QUICK-RELEASE PIN	1
3	90-31-419-TL	LIFTING DOG	2
4	476-059	SPRING PIN, 1/4" X 1-3/4"	1
5	90-31-458	DOWEL PIN, NW-L LIFTING DOGS	1
6	90-31-416	COMPRESSION SPRING	1
7	90-31-460	BALL BEARING	2
8	90-31-316	COMPRESSION SPRING	1
9	08012SSNLK	NYLOK SET SCREW, 3/8 X 3/4"	1
10	3546745	LOCKING SLEEVE	1
11	90-31-415	LOCK SPRING	1
12	90-31-450	SPRING BUSHING	1
13	12WL-NL	NORD-LOCK WASHER 3/4"	1
14	12NHZG5	NUT HEX 3/4 Z GR5	1
15	90-31-411	LOCKING SLEEVE	1
16	90-32-421	JAR TUBE	1
17	90-32-412	JAR STAFF	1
18	90-32-407	BODY, CABLE SWIVEL	1
19	90-29-020	GREASE FITTING	1
20	90-31-205	1/2 CASTLE NUT	1
21	90-31-204	THRUST BEARING	1
22	90-31-202	COLLAR, CABLE SWIVEL	1
23	90-31-206	COTTER PIN	1
24	90-31-201	SWIVEL, CABLE EYE BOLT	1



N W/L UNDERGROUND OVERSHOT ASSEMBLY

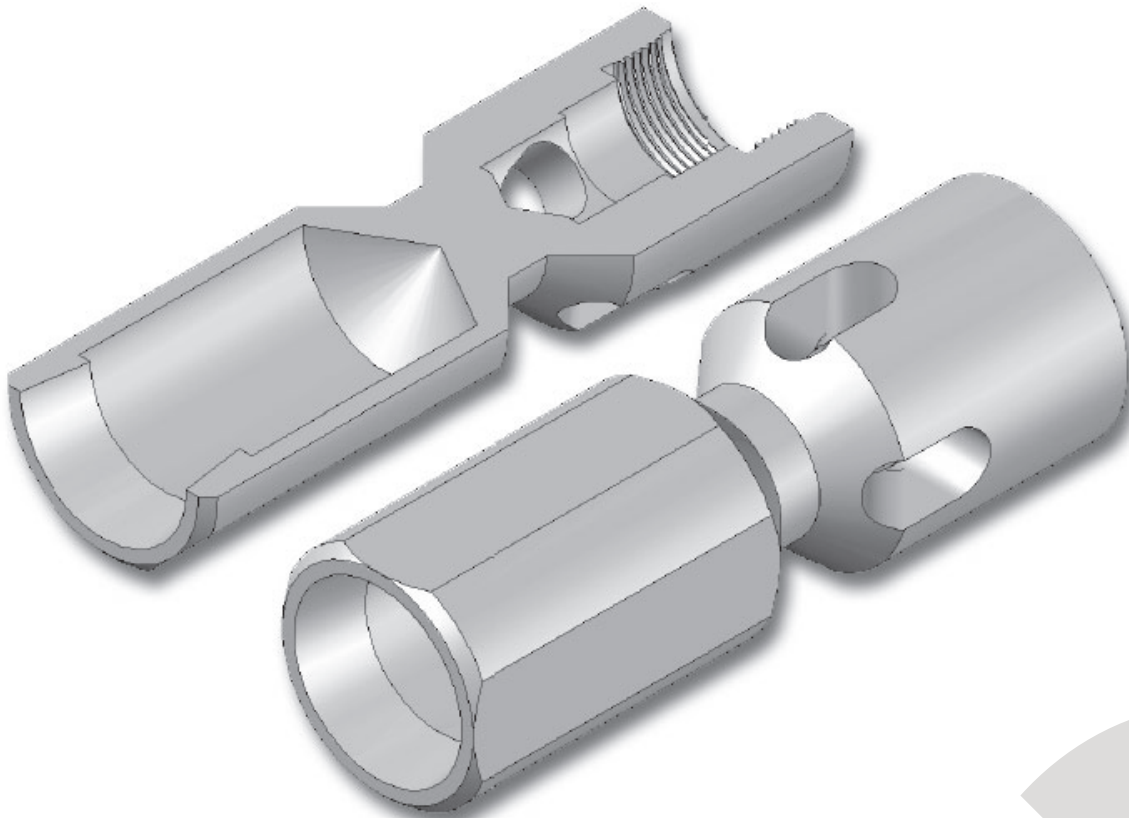
ITEM #	PART #	DESCRIPTION	QTY
ASM	90-32-402	NW/L-U OVERSHOT	
1	90-31-201	SWIVEL CABLE EYE BOLT	1
2	90-31-206	PIN, COTTER	1
3	90-31-202	COLLAR, CABLE SWIVEL	2
4	90-31-204	THRUST BEARING	1
5	90-31-205	NUT, CASTLE HEX	1
6	90-31-307	BODY, CABLE SWIVEL	1
7	90-29-020	GREASE FITTING	2
8	239-349	PIN, COILED, SHEAR	1
9	90-31-412	BODY, OVERSHOT UPPER	1
10	90-29-453	SEAL, PUMP IN	1
11	90-21-478	SEAT, PUMP-IN SEAL	1
12	90-21-421	BALL	1
13	90-29-380	BUSHING, LANDING INDICATOR	1
14	90-31-455U	HEAD, OVERSHOT	1
15	90-31-416	SPRING	1
16	90-31-419-TL	LIFTING DOG	1
17	90-31-458	PIN, PIVOT	1
18	476-059	PIN, ANTI-SWAY	1



QUAD LATCH OVERSHOT HEAD

The Quad Latch Overshot Head is designed to be compatible with other existing overshot designs. Simply remove the existing overshot head, and install the Quad Latch Overshot Head. No additional parts required.

PART #	DESCRIPTION
92-46-401	Quad Latch Overshot Head N



800.669.3542 | info@timeltd.ca